
AUSMADE1 RECESSED COLLECTION

SKU: AUSMADE1-RECESSED-COLLECTION



QUOTE:
PROJECT:
TYPE:

Our AUSMADE Linear Profiles Made in Australia and are the ultimate choice for Australian designers, architects & builders. When Linear Profiles are made in Australia, lead times are faster and costs are kept low. Quick turnaround times keep your projects on track and within budget. Take full advantage of our talented assembly team who can custom cut, fit with quality Tridonic boards and drivers, labels and deliver direct to site - ready for fast and easy installation. The Ausmade 6068 & 6573 architectural collection is designed for recessed applications and is ideal to create vertical ceiling runs and horizontal corridor features. This particular profile finish is White & is 60mm (W) x 68mm (H).

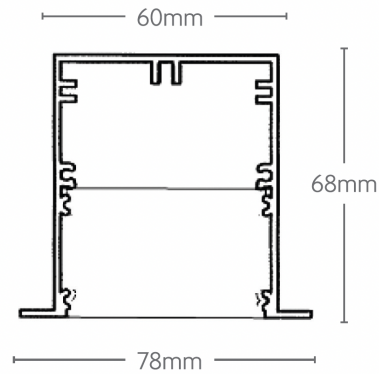
Features & Benefits

- Choose your colour temperature
- Recessed mounting
- Choose from Tridonic LED Boards or LED strip
- Polycarbonate opal diffuser
- Dimmable options include 1 10V, Switch Dim, DSI, DALI & Fixed Output
- Lumen Range from 850lm. Typical Lumen Packages 2600lm/m, 4000lm/m, 5400lm/m.
- CRI 80 or 90
- Also available in Black & Aluminum

PRODUCT IMAGE



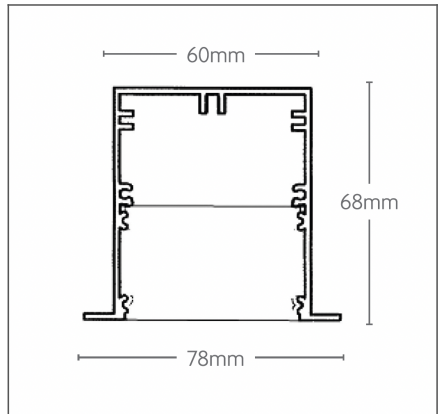
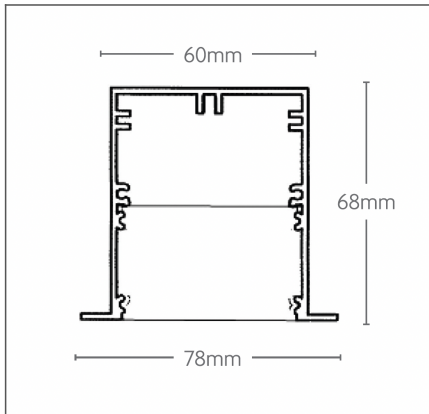
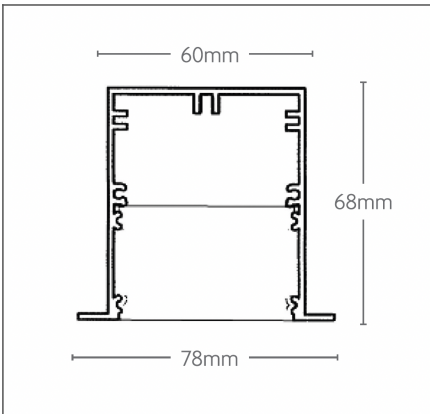
DIMENSIONAL DRAWING



AUSMADE1 RECESSED COLLECTION

SKU: AUSMADE1-RECESSED-COLLECTION

PRODUCT IMAGES & DIMENSIONS



EXTR-6068-BK-1M

EXTR-6068-AA-1M

EXTR-6068-WH-1M

AUSMADE1 RECESSED COLLECTION

SKU: AUSMADE1-RECESSED-COLLECTION

SPECIFICATIONS

SKU	EXTR-6068-BK-1M	EXTR-6068-AA-1M	EXTR-6068-WH-1M
Trim colour	Silver	Grey	White
Length	1000 mm	1000 mm	1000 mm
Width	60 mm	60 mm	60 mm
Warranty	3 Years	3 Years	3 Years
Diffuser	Opal	Opal	Opal
Depth	68	68	68