

ALUMINIUM PROFILE, WITH PMMA OPAL MATT DIFF

VB-ALP004-R-2M-BLK

IP20

Vibe's Series of Aluminium Profiles use high quality 6063-T5 aircraft Aluminium and environmentally friendly PMMA (polymethyl methacrylate) or PC (polycarbonate) covers, producing an elegant appearance with excellent heat dissipation. Please note: Required end caps, mounting clips and LED Strip Lighting sold separately under code VB-ALP-ACC & VBLST.

Features & Benefits

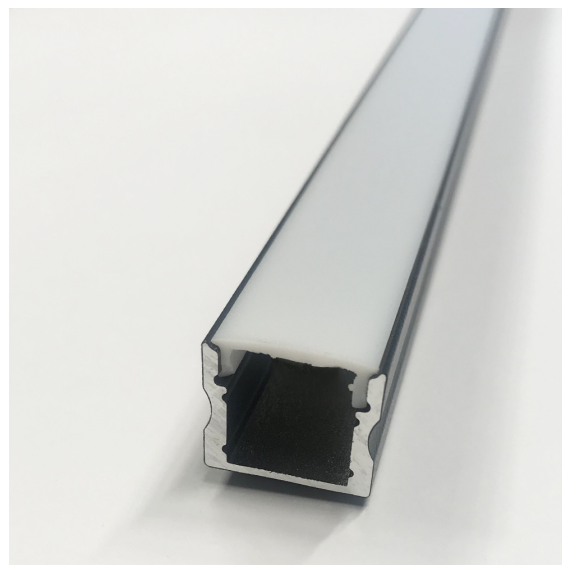
- Applicable Max Power: <20W P/M.
 - Surface mounted extrusions are the perfect answer when the design doesn't allow or doesn't warrant a recessed profile & in many cases you will find a recessed profile has a surface mount "twin brother" in both size & shape.
 - Suspended Extrusions look great over any kitchen bench, reception desk or bar top etc and make any retail shop display look stylish and modern.
 - Prolong the life of your LED strip lights by dissipating the heat generated during operation
 - Perfect for seamless continuous linear lighting
 - Most (not all) are supplied in 1m, 2m & 3m lengths & can also be customised upon request.
 - PC/PMMA Opal Diffuser • All available as standard Anodised Aluminium colour
- * Some models/sizes available in Black & White
** Custom colour also available on request

ALUMINUM PROFILE, WITH PMMA OPAL MATT DIFF

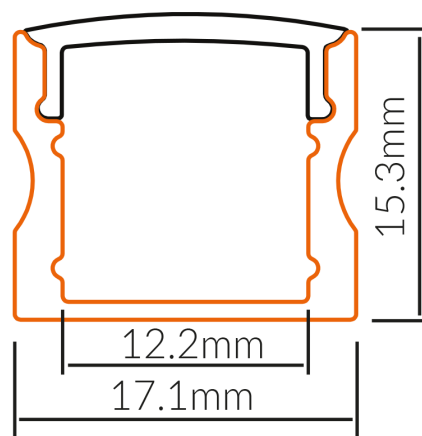
VB-ALP004-R-2M-BLK

Specifications

SKU	VB-ALP004-R-2M-BLK
EAN	9340994408002
IP rating	20
Trim colour	Black
Length	2000 mm
Height	15 mm
Mounting type	Surface, Suspended
Material	Aluminium
Accessories	2x End Caps, 2 x Plastic Mounting Clips, Rotatable Mounting Clip
Diffuser	Opal
Weatherproof	Non-weatherproof



Dimensional Drawings



Photometric information available upon request.