



## 004-R Series

### VB-ALP004-R-2M

IP20

Vibe's Series of Aluminium Profiles use high quality 6063-T5 aircraft Aluminium and environmentally friendly PMMA (polymethyl methacrylate) or PC (polycarbonate) covers, producing an elegant appearance with excellent heat dissipation. Please note: Required end caps, mounting clips and LED Strip Lighting sold separately under code VB-ALP-ACC & VBLST.

### Features & Benefits

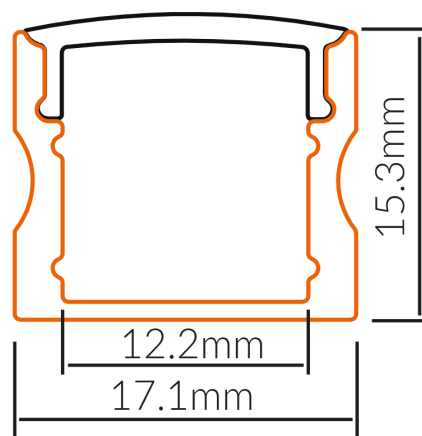
- Applicable Max Power: <20W P/M.
  - Surface mounted extrusions are the perfect answer when the design doesn't allow or doesn't warrant a recessed profile & in many cases you will find a recessed profile has a surface mount "twin brother" in both size & shape.
  - Suspended Extrusions look great over any kitchen bench, reception desk or bar top etc and make any retail shop display look stylish and modern.
  - Prolong the life of your LED strip lights by dissipating the heat generated during operation
  - Perfect for seamless continuous linear lighting
  - Most (not all) are supplied in 1m, 2m & 3m lengths & can also be customised upon request.
  - PC/PMMA Opal Diffuser • All available as standard Anodised Aluminium colour
- \* Some models/sizes available in Black & White  
\*\* Custom colour also available on request

## Specifications

<b>SKU</b>	VB-ALP004-R-2M
<b>EAN</b>	9340994403151
<b>IP rating</b>	20
<b>Length</b>	2000
<b>Height</b>	15
<b>Mounting type</b>	Surface, Suspended
<b>Material</b>	Aluminium
<b>Accessories</b>	2x End Caps, 2 x Plastic Mounting Clips, Rotatable Mounting Clip
<b>Diffuser</b>	Opal
<b>Weatherproof</b>	Non-weatherproof



## Dimensional Drawings



*Photometric information available upon request.*