



ALUMINUM PROFILE, WITH PMMA OPAL MATT DIFF

VB-ALP006-2M

IP20

Vibe's Series of Aluminium Profiles use high quality 6063-T5 aircraft Aluminium and environmentally friendly PMMA (polymethyl methacrylate) or PC (polycarbonate) covers, producing an elegant appearance with excellent heat dissipation. Please note: Required end caps, mounting clips and LED Strip Lighting sold separately under code VB-ALP-ACC & VBLST.

Features & Benefits

- Applicable Max Power: <16W P/M.
- Surface mounted extrusions are the perfect answer when the design doesn't allow or doesn't warrant a recessed profile & in many cases you will find a recessed profile has a surface mount "twin brother" in both size & shape.
- Suspended Extrusions look great over any kitchen bench, reception desk or bar top etc and make any retail shop display look stylish and modern.
- Prolong the life of your LED strip lights by dissipating the heat generated during operation
- Perfect for seamless continuous linear lighting
- Most (not all) are supplied in 1m, 2m & 3m lengths & can also be customised upon request.
- PC/PMMA Opal Diffuser • All available as standard Anodised Aluminium colour
- * Some models/sizes available in Black & White
- ** Custom colour also available on request



ALUMINUM PROFILE, WITH PMMA OPAL MATT DIFF

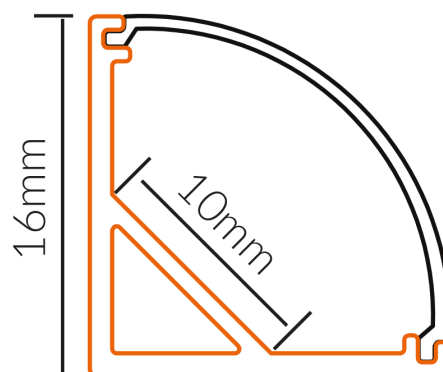
VB-ALP006-2M

Specifications

| | |
|----------------------|---|
| SKU | VB-ALP006-2M |
| EAN | 9340994403205 |
| IP rating | 20 |
| Length | 2000 mm |
| Height | 16 mm |
| Mounting type | Surface |
| Material | Aluminium |
| Accessories | 2x End Caps, 2 x Plastic Mounting Clips, 2 x Metal Mounting Clips |
| Diffuser | Opal |
| Weatherproof | Non-weatherproof |



Dimensional Drawings



Photometric information available upon request.