



013 Series - 2M

VB-ALP013-2M

IP20

Our VIBE 2m x 30mm x 10mm Recessed Aluminium Profile Extrusions are suitable for many areas including under cabinets, in ceilings or walls & in various locations to help achieve an architectural design advantage. Perfect for seamless continuous linear lighting, they will prolong the life of your LED strip lights by dissipating the heat generated during operation. Most (not all) are supplied in 1M, 2M, & 3M lengths & can also be customised upon request. Some models/sizes available in Black & White.

Features & Benefits

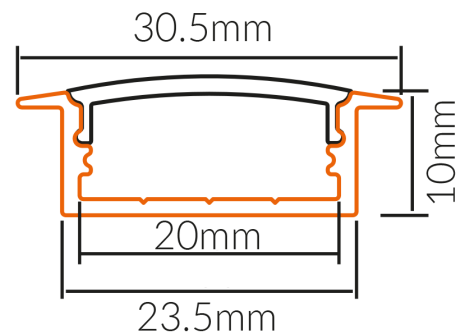
- Applicable Max Power: <15W P/M
- Supplied in 1M, 2M, & 3M lengths pending series & can also be customised upon request.
- PC/PMMA Opal Diffuser
- Come standard as Anodised Aluminium colour
- Some models/sizes available in Black & White
- Custom colour also available on request

Specifications

SKU	VB-ALP013-2M
EAN	9340994403304
IP rating	20
Trim colour	Anodised
Length	2000 mm
Height	11 mm
Mounting type	Recessed
Material	Aluminium
Accessories	x2 End Caps
Diffuser	Opal
Weatherproof	Non-weatherproof



Dimensional Drawings



Photometric information available upon request.