



017 Series - 1M

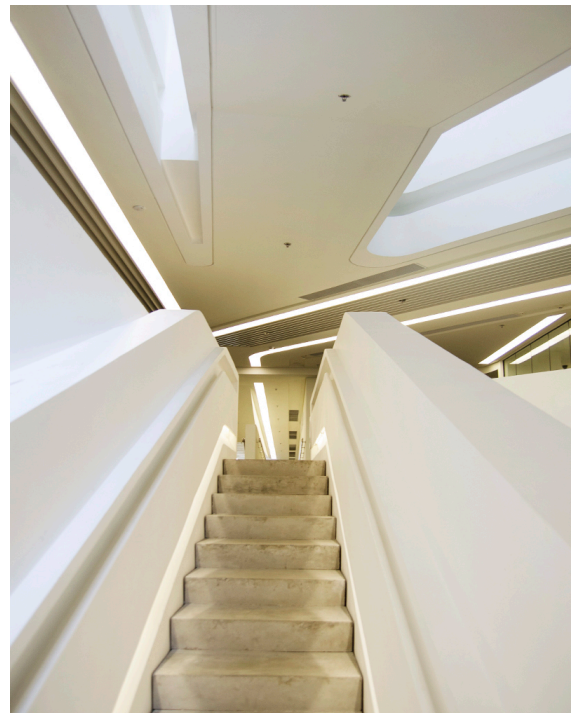
VB-ALP017-R-1M

IP20

Vibe's Series of Aluminium Profiles use high quality 6063-T5 aircraft Aluminium and environmentally friendly PMMA (polymethyl methacrylate) or PC (polycarbonate) covers, providing an elegant appearance and excellent heat dissipation. Equipped with a PMMA Opal Diffuser the profile light range has a large variety of shapes and lengths to suit any lighting challenge. Extrusion only, required end caps, light strips and mounting clips sold separately under code VB-ALP-ACC & VBLST.

Features & Benefits

- Applicable max power: <25W/M
 - Recessed extrusions are suitable for many areas including under cabinets, in ceilings or walls & in various locations to help achieve an architectural design advantage.
 - Perfect for seamless continuous linear lighting
 - Prolong the life of your LED strip lights by dissipating the heat generated during operation
 - Most (not all) are supplied in 1M, 2M, & 3M lengths & can also be customised upon request.
 - PC/PMMA Opal Diffuser
 - All available as standard Anodised Aluminium colour
- * Some models/sizes available in Black & White
** Custom colour also available on request

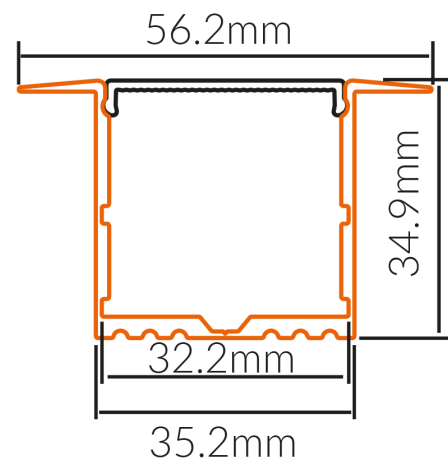


Specifications

| | |
|----------------------|--------------------------------------|
| SKU | VB-ALP017-R-1M |
| EAN | 9340994403397 |
| IP rating | 20 |
| Trim colour | Anodised |
| Length | 1000 mm |
| Height | 35 mm |
| Mounting type | Recessed |
| Material | Aluminium |
| Accessories | 2x End Caps & Recessed Mounting Clip |
| Diffuser | Opal |
| Weatherproof | Non-weatherproof |



Dimensional Drawings



Photometric information available upon request.