



017 Series - 2M

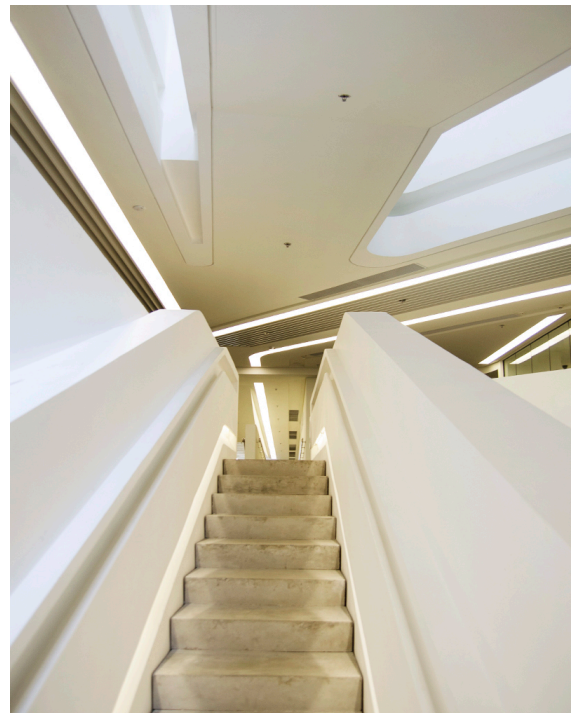
VB-ALP017-R-2M

IP20

Vibe's Series of Aluminium Profiles use high quality 6063-T5 aircraft Aluminium and environmentally friendly PMMA (polymethyl methacrylate) or PC (polycarbonate) covers, providing an elegant appearance and excellent heat dissipation.

Features & Benefits

- Applicable max power: <25W/M
 - Recessed extrusions are suitable for many areas including under cabinets, in ceilings or walls & in various locations to help achieve an architectural design advantage.
 - Perfect for seamless continuous linear lighting
 - Prolong the life of your LED strip lights by dissipating the heat generated during operation
 - Most (not all) are supplied in 1M, 2M, & 3M lengths & can also be customised upon request.
 - PC/PMMA Opal Diffuser
 - All available as standard Anodised Aluminium colour
- * Some models/sizes available in Black & White
** Custom colour also available on request

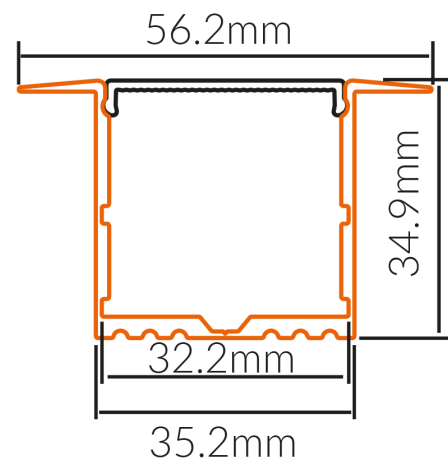


Specifications

SKU	VB-ALP017-R-2M
EAN	9340994403380
IP rating	20
Trim colour	Anodised
Length	2000 mm
Height	35 mm
Mounting type	Recessed
Material	Aluminium
Accessories	2x End Caps & Recessed Mounting Clip
Diffuser	Opal
Weatherproof	Non-weatherproof



Dimensional Drawings



Photometric information available upon request.