



1M ALUMINIUM PROFILE C/W PMMA OPAL MATTE DIFF (D)

VB-ALP024-1M

IP20

Vibe's Series of Aluminium Profiles use high quality 6063-T5 aircraft Aluminium and environmentally friendly PMMA (polymethyl methacrylate) or PC (polycarbonate) covers, providing an elegant appearance and excellent heat dissipation. Equipped with a PMMA Opal Diffuser the profile light range has a large variety of shapes and lengths to suit any lighting challenge. Extrusion only, required end caps, light strips and mounting clips sold separately under code VB-ALP-ACC & VBLST.

Features & Benefits

- Applicable Max Power: <36W P/M.
- Surface mounted extrusions are the perfect answer when the design doesn't allow or doesn't warrant a recessed profile & in many cases you will find a recessed profile has a surface mount "twin brother" in both size & shape.
- Suspended Extrusions look great over any kitchen bench, reception desk or bar top etc and make any retail shop display look stylish and modern.
- Prolong the life of your LED strip lights by dissipating the heat generated during operation
- Perfect for seamless continuous linear lighting
- Most (not all) are supplied in 1m, 2m & 3m lengths & can also be customised upon request.
- PC/PMMA Opal Diffuser • All available as standard Anodised Aluminium colour

* Some models/sizes available in Black & White
** Custom colour also available on request

1M ALUMINUM PROFILE C/W PMMA OPAL MATTE DIFF (D)

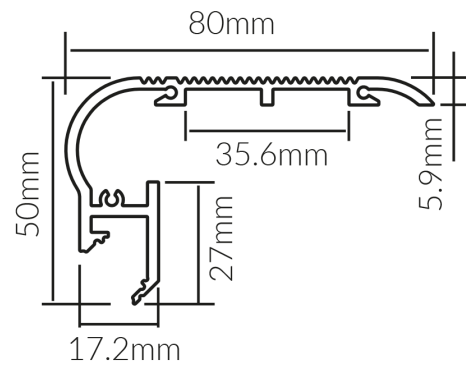
VB-ALP024-1M

Specifications

SKU	VB-ALP024-1M
EAN	9340994403526
IP rating	20
Length	1000 mm
Width	80 mm
Height	50 mm
Mounting type	Surface
Material	Aluminium
Accessories	2x End Caps
Diffuser	Opal
Weatherproof	Non-weatherproof



Dimensional Drawings



Photometric information available upon request.