



033 Series - 1M

VB-ALP033-1M

IP20

Vibe's Series of Aluminum Profiles use high quality 6063-T5 aircraft Aluminum and environmentally friendly PMMA (polymethyl methacrylate) or PC (polycarbonate) covers, providing an elegant appearance and excellent heat dissipation. Equipped with a PC Opal Diffuser the profile light range has a large variety of shapes and lengths to suit any lighting challenge. Extrusion only, required end caps, light strips and mounting clips sold separately under code VB-ALP-ACC & VBLST.

Features & Benefits

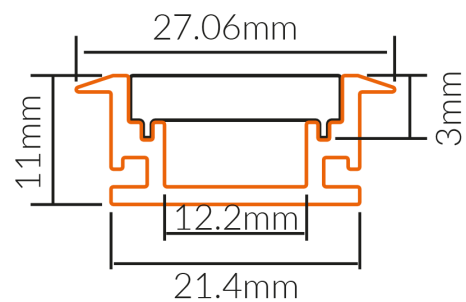
- Applicable Max Power: <20W P/M
 - Recessed extrusions are suitable for many areas including under cabinets, in ceilings or walls & in various locations to help achieve an architectural design advantage.
 - Perfect for seamless continuous linear lighting
 - Prolong the life of your LED strip lights by dissipating the heat generated during operation
 - Most (not all) are supplied in 1M, 2M, & 3M lengths & can also be customised upon request.
 - PC/PMMA Opal Diffuser
 - All available as standard Anodised Aluminium colour
- * Some models/sizes available in Black & White
** Custom colour also available on request

Specifications

SKU	VB-ALP033-1M
EAN	9340994403564
IP rating	20
Length	1000 mm
Width	27 mm
Height	11 mm
Mounting type	Recessed
Material	Aluminium
Accessories	2x End Caps
Diffuser	Opal
Weatherproof	Non-weatherproof



Dimensional Drawings



Photometric information available upon request.