



## 045 Series - 1M

### VB-ALP045-1M

IP20

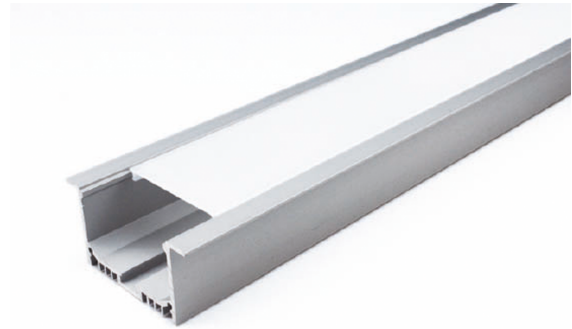
Vibe's Series of Aluminium Profiles use high quality 6063-T5 aircraft Aluminium and environmentally friendly PMMA (polymethyl methacrylate) or PC (polycarbonate) covers, producing an elegant appearance with excellent heat dissipation. Please note: Required end caps, mounting clips and LED Strip Lighting sold separately under code VB-ALP-ACC & VBLST.

### Features & Benefits

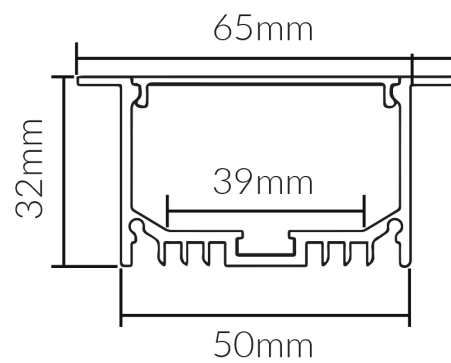
- Applicable Max Power: <35W P/M
  - Recessed extrusions are suitable for many areas including under cabinets, in ceilings or walls & in various locations to help achieve an architectural design advantage.
  - Perfect for seamless continuous linear lighting
  - Prolong the life of your LED strip lights by dissipating the heat generated during operation
  - Most (not all) are supplied in 1M, 2M, & 3M lengths & can also be customised upon request.
  - PC/PMMA Opal Diffuser
  - All available as standard Anodised Aluminium colour
- \* Some models/sizes available in Black & White  
\*\* Custom colour also available on request

## Specifications

<b>SKU</b>	VB-ALP045-1M
<b>EAN</b>	9340994403601
<b>IP rating</b>	20
<b>Length</b>	1000 mm
<b>Width</b>	65 mm
<b>Height</b>	32 mm
<b>Mounting type</b>	Recessed
<b>Accessories</b>	2x End Caps & Recessed Mounting Clips
<b>Diffuser</b>	Opal
<b>Weatherproof</b>	Non-weatherproof



## Dimensional Drawings



*Photometric information available upon request.*