

10075 Series - 2.5M

VB-ALP10075-2.5M

IP20

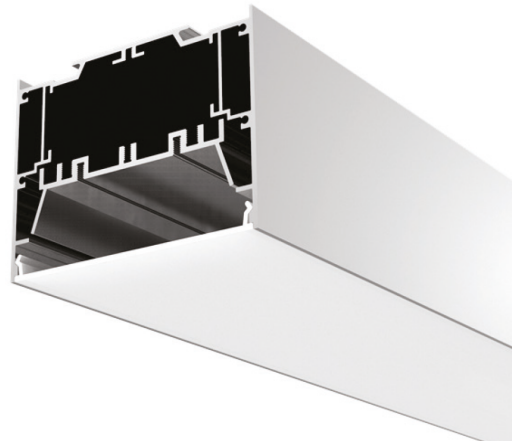
Vibe's Series of Aluminium Profiles use high quality 6063-T5 aircraft Aluminium and environmentally friendly PMMA (polymethyl methacrylate) or PC (polycarbonate) covers, producing an elegant appearance with excellent heat dissipation. Please note: Required end caps, mounting clips and LED Strip Lighting sold separately under code VB-ALP-ACC & VBLST.

Features & Benefits

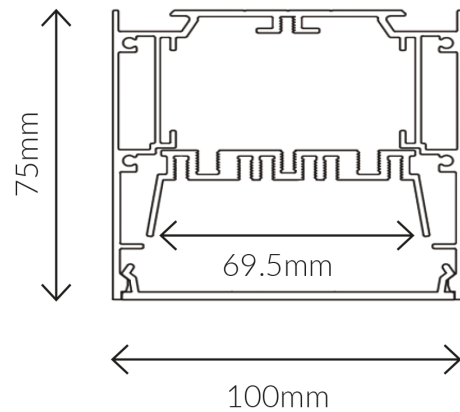
- Applicable Max Power: <44W/M
 - Surface mounted extrusions are the perfect answer when the design doesn't allow or doesn't warrant a recessed profile & in many cases you will find a recessed profile has a surface mount "twin brother" in both size & shape.
 - Suspended Extrusions look great over any kitchen bench, reception desk or bar top etc and make any retail shop display look stylish and modern.
 - Prolong the life of your LED strip lights by dissipating the heat generated during operation
 - Perfect for seamless continuous linear lighting
 - Most (not all) are supplied in 1m, 2m & 3m lengths & can also be customised upon request.
 - PC/PMMA Opal Diffuser • All available as standard Anodised Aluminium colour
- * Some models/sizes available in Black & White
** Custom colour also available on request

Specifications

| | |
|----------------------|---|
| SKU | VB-ALP10075-2.5M |
| EAN | 9340994407920 |
| IP rating | 20 |
| Length | 2500 mm |
| Width | 100 mm |
| Height | 75 mm |
| Mounting type | Surface, Suspended |
| Material | Aluminium |
| Accessories | 2x End Caps, Inner Clip, Metal Mounting Clip, 180 Connector, Suspension Kit |
| Diffuser | Frosted |
| Weatherproof | Non-weatherproof |



Dimensional Drawings



Photometric information available upon request.