

## Vibe ALP107 Suspended Aluminium Profile, with PC Opal Matt Diffuser, 2M/PC

### VB-ALP107-2M

IP20

Vibe's Series of Aluminium Profiles use high quality 6063-T5 aircraft Aluminium and environmentally friendly PMMA (polymethyl methacrylate) or PC (polycarbonate) covers, producing an elegant appearance with excellent heat dissipation. Please note: Required end caps, mounting clips and LED Strip Lighting sold separately under code VB-ALP-ACC & VBLST.

### Features & Benefits

- Applicable Max Power: <25W P/M.
- Surface mounted extrusions are the perfect answer when the design doesn't allow or doesn't warrant a recessed profile & in many cases you will find a recessed profile has a surface mount "twin brother" in both size & shape.
- Suspended Extrusions look great over any kitchen bench, reception desk or bar top etc and make any retail shop display look stylish and modern.
- Prolong the life of your LED strip lights by dissipating the heat generated during operation
- Perfect for seamless continuous linear lighting
- Most (not all) are supplied in 1m, 2m & 3m lengths & can also be customised upon request.
- PC/PMMA Opal Diffuser • All available as standard Anodised

Aluminium colour

\* Some models/sizes available in Black & White

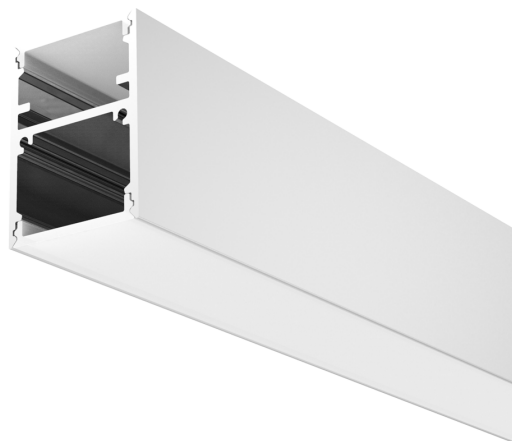
\*\* Custom colour also available on request

# Vibe ALP107 Suspended Aluminium Profile, with PC Opal Matt Diffuser, 2M/PC

**VB-ALP107-2M**

## Specifications

<b>SKU</b>	VB-ALP107-2M
<b>IP rating</b>	20
<b>Length</b>	2000 mm
<b>Width</b>	25 mm
<b>Height</b>	35 mm
<b>Mounting type</b>	Suspended
<b>Material</b>	Aluminium Body with PC Diffused cover
<b>Accessories</b>	2 x End Caps, Hanging Bracket & Suspension Kit
<b>Weatherproof</b>	Non-weatherproof



## Dimensional Drawings

*Photometric information available upon request.*

