

ALUMINIUM PROFILE 10 X 15MM SURFACE MOUNT INC DIFFUSER

VB-ALP115-2M

Vibe's Series of Aluminium Profiles use high quality 6063-T5 aircraft Aluminium and environmentally friendly PMMA (polymethyl methacrylate) or PC (polycarbonate) covers, producing an elegant appearance with excellent heat dissipation. Please note: Required end caps, mounting clips and LED Strip Lighting sold separately under code VB-ALP-ACC & VBLST.

Features & Benefits

- Applicable Max Power: <12W P/M.
 - Surface mounted extrusions are the perfect answer when the design doesn't allow or doesn't warrant a recessed profile & in many cases you will find a recessed profile has a surface mount "twin brother" in both size & shape.
 - Suspended Extrusions look great over any kitchen bench, reception desk or bar top etc and make any retail shop display look stylish and modern.
 - Prolong the life of your LED strip lights by dissipating the heat generated during operation
 - Perfect for seamless continuous linear lighting
 - Most (not all) are supplied in 1m, 2m & 3m lengths & can also be customised upon request.
 - PC/PMMA Opal Diffuser • All available as standard Anodised Aluminium colour
- * Some models/sizes available in Black & White
** Custom colour also available on request

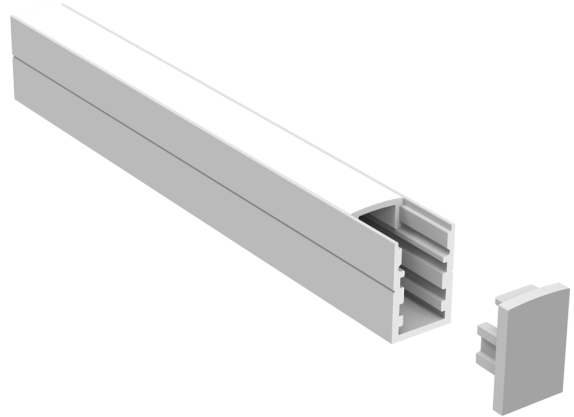
ALUMINIUM PROFILE 10 X 15MM SURFACE MOUNT INC DIFFUSER

VB-ALP115-2M

Specifications

SKU	VB-ALP115-2M
EAN	9340994031071
Length	2000 mm

Photometric information available upon request.



Dimensional Drawings

