

## ALUMINIUM PROFILE RECESSED 10 X 15MM INC DIFFUSER

### VB-ALP118-2.5M

Vibe's Series of Aluminium Profiles use high quality 6063-T5 aircraft Aluminium and environmentally friendly PMMA (polymethyl methacrylate) or PC (polycarbonate) covers, producing an elegant appearance with excellent heat dissipation. Please note: Required end caps, mounting clips and LED Strip Lighting sold separately under code VB-ALP-ACC & VBLST.

### Features & Benefits

- Applicable Max Power: <12W P/M.
  - Recessed extrusions are suitable for many areas including under cabinets, in ceilings or walls & in various locations to help achieve an architectural design advantage.
  - Perfect for seamless continuous linear lighting
  - Prolong the life of your LED strip lights by dissipating the heat generated during operation
  - Most (not all) are supplied in 1M, 2M, 2.5M & 3M lengths & can also be customised upon request.
  - PC/PMMA Opal Diffuser
  - All available as standard Anodised Aluminium colour
- \* Some models/sizes available in Black & White  
\*\* Custom colour also available on request

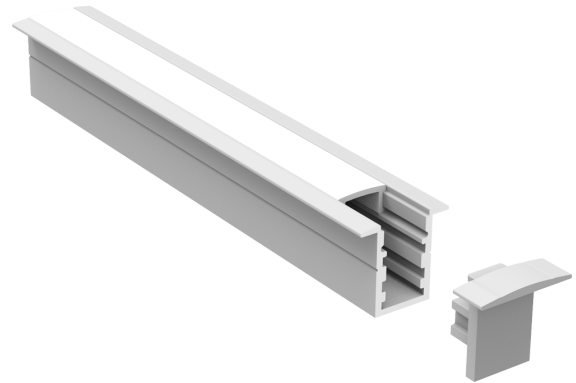
# ALUMINIUM PROFILE RECESSED 10 X 15MM INC DIFFUSER

**VB-ALP118-2.5M**

## Specifications

<b>SKU</b>	VB-ALP118-2.5M
<b>EAN</b>	9340994031064
<b>Length</b>	2500 mm
<b>Width</b>	16 mm
<b>Height</b>	15 mm

*Photometric information available upon request.*



## Dimensional Drawings

