

## VB-NM-30W-4-5K

### NEW MOON LED SOLAR STREET LIGHT

Our popular New Moon Solar Street lights with PIR Sensor combine high-efficiency solar components with a quality LiFePO4 lithium battery, intelligent solar controller, and Panasonic infrared moon sensor.

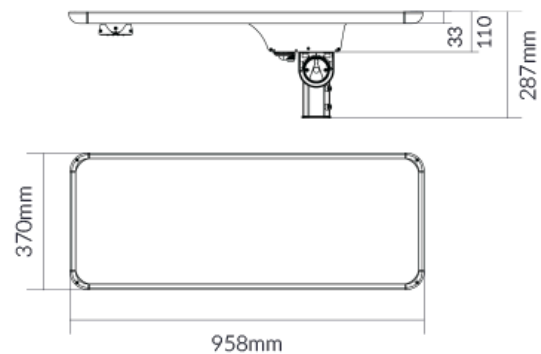
Compact and versatile, they feature rotatable LED modules for precise light control and integrated bird spikes to prevent nesting—Ideal for caravan parks, local parks, gardens, and locations without 240V power where energy efficiency and sustainability are priorities.

#### KEY FEATURES

- Compact, modern and vandal proof design
- Utilises human body infrared induction technology, dimming the light to 30% when no motion is detected.
- Operating Time: 10 hrs (full power) 30 hrs (power saving)
- Charging Time: 6 hours (under direct sunlight)
- Capable of performing even after several overcast days
- Suitable for Pole Mounting (60mm Pole diameter)
- 55W Mono Solar Panel with 30Ah/12.8V LiFePo4 Battery

\*Suggested installation height: 5-6m

\*Suggested installation spacing: 14-17m



#### SPECIFICATIONS

SKU	VB-NM-30W-4-5K
Power (W)	30
Efficacy (LM/W)	220
Lumens (LM)	6600
Colour Temp	Natural White
Kelvin	5000K
Dimmable	Triac Dimmable
CRI	70
Beam Angle	TYPE III
IP Rating	66
IK Rating	08
Trim Colour	Black
Weatherproof	Weatherproof
Height (MM)	287
Length (MM)	958
Width (MM)	370
Working Temp	-20°C ~ 45°C
Lifespan (HRS)	50000
Warranty (YRS)	5

#### APPLICATION



#### ADDITIONAL INFORMATION

**Motion Sensor Mode:** With motion – 100% (2 hrs), 60% (3 hrs), 30% (4 hrs), 70% (3 hrs); without motion – 30% (2 hrs), 20% (3 hrs), 10% (4 hrs), 20% (3 hrs).

**Battery:** High-capacity LiFePO4 battery, 30Ah/12.8V. **Solar Panel:** High-efficiency monocrystalline panel, 55W/18V, with AC-DC charging port. **Accessories:** Integrated bird spike.

<br>

Spigot Diameter: 60mm<br>