



303 Series

VBLBO-303-4-30



Our VIBE, 8W, 3000K, 303 Series Bollard Lights is made of tough die-cast aluminium with an impact rating of IK10 to withstand vandalism. They provide a modern architectural appeal to any garden path or walkway, allowing the natural scenery to be seen whilst blending seamlessly into the surrounding environment. Please note: All VIBE LED Bollards are recommended to be mounted securely to a plinth/concrete base and not covered by any organic materials (dirt/mulch/sand ect) to avoid condensation entering and subsequently corroding the fitting. Not following this installation recommendation will void any stated warranty.

Features & Benefits

- Tough die-cast Aluminium Body
- Anodised Aluminium reflector with clear PC diffuser
- Black powder coated finish
- 270° wide light beam angle
- Equipped with CREE LED chips
- Static moulding powder coating with UV resistance
- Supplied with rag bolt and template
- IP54 rated
- IK10 rated for impact resistance
- 50,000 hour life span
- 3 year warranty

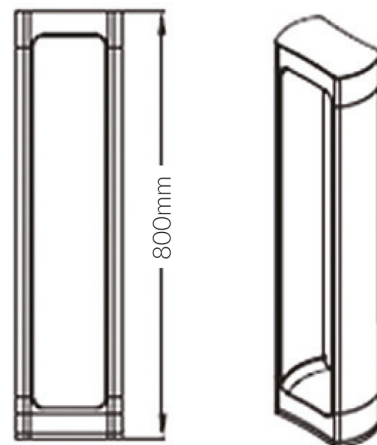


Specifications

SKU	VBLBO-303-4-30
Luminaire efficacy	44 lm/W
Light Colour	Warm White
Wattage	8 W
Lumen output	354 lm
IP rating	65
IK Rating	10
CRI	80
Beam Angle	270 Degrees
Trim colour	Black
Length	200 mm
Width	120 mm
Height	800 mm
Lifespan	50000 Hours
Warranty	3 Years
Dimmable	Non-Dimmable
LED source	CREE
Material	Die-cast Aluminium
Lamp Type	LED
Input voltage	220V-240V AC 50HZ
Wiring method	Hardwire
Weatherproof	Weatherproof
Working temperature	-20°C ~ 45°C
Kelvin	3000K



Dimensional Drawings



Photometric information available upon request.