

VBLBOS-004-4-4K

VANDAL RESISTANT LED SOLAR BOLLARD

Subtly light up your outdoor areas in style with this full-colour changing solar bollard. Thanks to the polycarbonate dome over the solar panel, it has a high impact rating to assist against unwanted vandalism. On rainy days the curved dome will flush the dust away to ensure maximum charging during daylight hours.

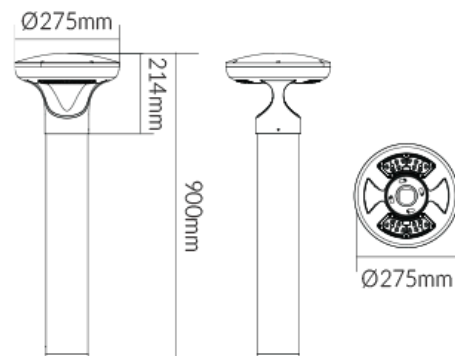
The VBLBOS-004 Series adopts highly efficient mono solar panel and a LifePO4 battery and offers a continuous and stable lighting performance with up to 3 nights autonomy when the battery is fully charged.

KEY FEATURES

- 6.2W Mono Solar Panel with 3.2V 12Ah LifePO4 battery
- Built in Solar Panel charges throughout the day and uses stored energy during the night
- Automatic day and night sensor installed
- Fast charging Lithium LiFePo4 Battery
- Seaside Resistant
- Corrosion Resistant
- IP65 rated
- IK10 rated
- 50,000 hour lifespan
- 3 Year Warranty

SPECIFICATIONS

SKU	VBLBOS-004-4-4K
Power (W)	1.5
Efficacy (LM/W)	100
Lumens (LM)	150
Colour Temp	Cool White
Kelvin	4000K
Dimmable	Non-Dimmable
CRI	80
Beam Angle	300
IP Rating	65
IK Rating	10
Trim Colour	Black
Weatherproof	Weatherproof
Mounting Type	Surface
Diameter (MM)	275
Height (MM)	900
Working Temp	-15°C ~ 45°C
Lifespan (HRS)	50000
Warranty (YRS)	3



APPLICATION



ADDITIONAL INFORMATION

Remote Control Functions – LED Solar Bollard

Power ON/OFF, Factory Reset, Low Power Mode for all-night energy saving, 4-hour and 12-hour timer settings, and two motion sensor modes: Standard (activates on motion at night) and Boost (dim lighting with motion-activated brightening).