



VBLDL-090-1-3KD90



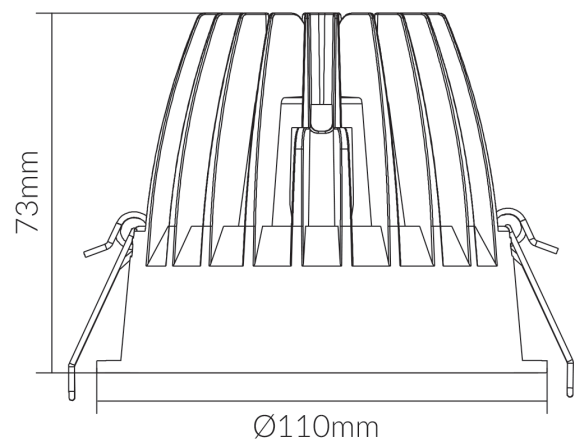
Specifications

SKU	VBLDL-090-1-3KD90
Luminaire efficacy	111 lm/W
EAN	9340994024332
Light Colour	Warm White
Wattage	13 W
Lumen output	1450 lm
IP rating	54
CRI	90
Beam Angle	50 Degrees
Trim colour	White
Cut out	90 mm
Lifespan	50000 Hours
Warranty	5 Years
Output current	350 mA
Constant current/voltage	Constant Current
Mounting type	Recessed
LED source	Citizen
Lamp Type	LED
Dimming	Triac Dimming
Input voltage	220V-240V AC 50HZ
Wiring method	Flex & Plug
Working temperature	-20-50



Dimensional Drawings

Cut Out: Ø90mm



Photometric information available upon request.