



## 133 Series

### VBLDL-133-1-30



Our 10W White 133 Dimmable LED Downlight Series offers a versatile gimbal design for focussed lighting with a 0-30° tilt. It is available in 3000K with a 890 lumen output, using high efficiency EPISTAR LED Chips. It provides a smooth and uniform light output through its high transmittance TIR lens. Includes a 50,000 hour lifespan and 3 year warranty.

#### Features & Benefits

- Thermal plastic design for better thermal dissipation
- Equipped with high efficiency EPISTAR LED chips
- Smooth and uniform light output through high transmittance TIR lens
- 0-30° adjustable gimbal design
- Dimmable with most trailing edge dimmers
- 40,000 hour lifespan
- 3 year warranty

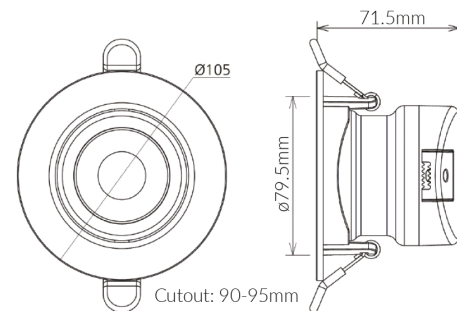


## Specifications

<b>SKU</b>	VBLDL-133-1-30
<b>Luminaire efficacy</b>	89 lm/W
<b>EAN</b>	9340994017099
<b>Light Colour</b>	Warm White
<b>Wattage</b>	10 W
<b>Lumen output</b>	890 lm
<b>IP rating</b>	20
<b>CRI</b>	80
<b>Beam Angle</b>	60 Degrees
<b>Trim colour</b>	White
<b>Cut out</b>	90-95 mm
<b>Diameter</b>	105 mm
<b>Width</b>	72 mm
<b>Lifespan</b>	40000 Hours
<b>Warranty</b>	3 Years
<b>Dimmable</b>	Dimmable
<b>Mounting type</b>	Recessed
<b>LED source</b>	Epistar
<b>Material</b>	Thermal Plastic
<b>Lamp Type</b>	LED
<b>Dimming</b>	Triac Dimming
<b>Input voltage</b>	220V-265V AC 50hz
<b>Wiring method</b>	Flex & Plug
<b>Weatherproof</b>	Indoor Use Only
<b>Working temperature</b>	-20°C ~ 45°C
<b>Box Qty</b>	36
<b>Pallet Qty</b>	1080
<b>Kelvin</b>	3000K



## Dimensional Drawings



Photometric information available upon request.