



## Vibe Series 134 LED Downlight 12W (D)

**VBLDL-134-30**



This 12W LED Engine is used in combination with VIBE 134 Series Modular Downlight Accessories. These multi purpose architecturally designed LED modular downlights are simple to install & have a wide range of options using a choice of trims. Excellent dimming capability & includes a 50,000 hour lifespan and a 3 year warranty.

### Features & Benefits

Used in combination with VIBE 134 Series LED Modular Downlight Accessories  
Choose your module, pick your trim and build your own downlight  
Equipped with CREE LED chips, high luminaire efficacy  
Architecturally designed fitting with simple installation  
Choice of 7 different trims including fixed, gimbal, square, fixed deep baffle, tilt baffle and twin square  
Standard as a white trim - some trims available in black  
Dimmable with most trailing edge dimmers  
3 year warranty



# Vibe Series 134 LED Downlight 12W (D)

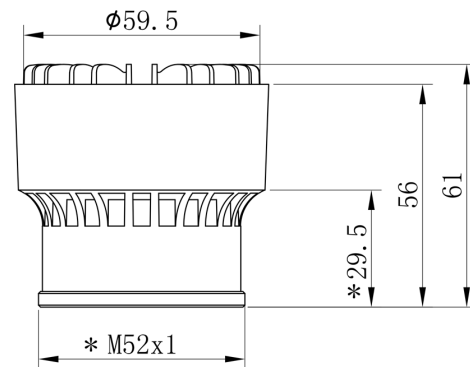
VBLDL-134-30

## Specifications

<b>SKU</b>	VBLDL-134-30
<b>Luminaire efficacy</b>	91.61 lm/W
<b>EAN</b>	9340994017822
<b>Light Colour</b>	Warm White
<b>Wattage</b>	12 W
<b>Lumen output</b>	1104 lm
<b>IP rating</b>	20
<b>CRI</b>	90
<b>Beam Angle</b>	60 Degrees
<b>Width</b>	61 mm
<b>Height</b>	52 mm
<b>Lifespan</b>	50000 Hours
<b>Warranty</b>	3 Years
<b>Dimmable</b>	Dimmable
<b>Mounting type</b>	Recessed
<b>LED source</b>	CREE
<b>Material</b>	Aluminium
<b>Accessories</b>	Also available in 4000K (1150lm)
<b>Lamp Type</b>	LED
<b>Input voltage</b>	220V-265V AC 50hz
<b>Wiring method</b>	Flex & Plug
<b>Weatherproof</b>	Indoor Use Only
<b>Working temperature</b>	-20°C ~ 45°C



## Dimensional Drawings



Photometric information available upon request.