



## 7W WHITE TRIM LED DOWNLIGHT CCT SWITCH

### VBLDL-175-1-CCT



Designed for general lighting applications with 70-75mm cutout, this IC-4 ( IC-F ) rated integrated downlight has a wide choice of options. With its switchable range of 3 colour temperatures, it also comes with an AU flex & plug, a 50,000 hour lifespan and includes a 3 year warranty.

### Features & Benefits

- Change the Colour temperature with the flick of a switch - CCT can be switched by the slide button on the back of the fitting
- Built in internal driver
- This IC-4 rated integrated downlight is able to be covered with insulation
- Comes with 0.6m Aus flex & plug
- IP54 front only
- 50,000 hour lifespan
- 3 year warranty (Domestic)
- 2 year warranty (Commercial)



# 7W WHITE TRIM LED DOWNLIGHT CCT SWITCH

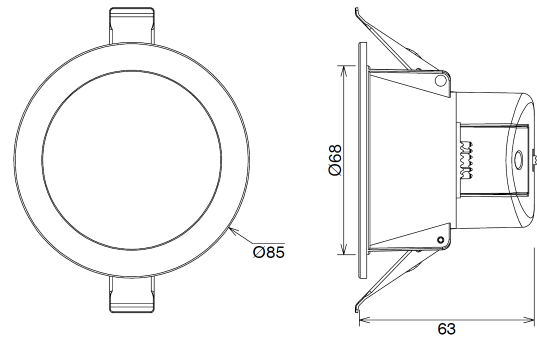
VBLDL-175-1-CCT

## Specifications

SKU	VBLDL-175-1-CCT
Luminaire efficacy	90 lm/W
EAN	9340994030814
Light Colour	3CCT
Wattage	7 W
Lumen output	630 lm
IP rating	IP54 Front Only
CRI	80
Beam Angle	90 Degrees
Trim colour	White
Cut out	70 mm
Diameter	85 mm
Height	63 mm
Lifespan	40000 Hours
Warranty	3 Years
Dimmable	Dimmable
Mounting type	Recessed
LED source	SMD
Material	Thermal Plastic
Lamp Type	LED
Dimming	Triac Dimming
Input voltage	220V-240V AC 50HZ
Diffuser	Frosted
Wiring method	Flex & Plug
Weatherproof	Indoor Use Only
Working temperature	-20-45 degrees
Box Qty	50
Kelvin	3000K/4000K/5700K



## Dimensional Drawings



Photometric information available upon request.