

## VBLDL-175A-1-CCT

### 3CCT RECESSED LED DOWNLIGHT

The VBLDL-175 Series 8W LED Downlight is a versatile and energy-efficient solution, featuring 3CCT switchable options (3000K, 4000K, 5700K) to suit a range of applications. Delivering 700–800 lumens with a CRI of 80, it provides clear, natural illumination for any space.

With a 70–85mm cut-out and a wide 100° beam angle, this compact yet powerful downlight offers excellent flexibility in lighting design. Rated IP44, it is ideal for general indoor use including living rooms, offices and hallways.

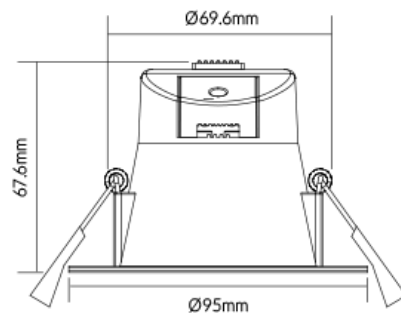
Designed with a recessed profile for a clean ceiling finish, it includes a built-in driver for easy installation and ensures consistent, low-glare performance.

#### KEY FEATURES

- 3CCT Switchable – 3000K/4000K/5700K
- Built in internal driver
- This IC-4 rated integrated downlight is suitable for covering with insulation
- Comes with 0.6m Aus flex & plug
- IP44 rated
- 30,000 hour lifespan
- 3 year warranty (Domestic)
- 2 year warranty (Commercial)

#### SPECIFICATIONS

SKU	VBLDL-175A-1-CCT
Power (W)	8
Efficacy (LM/W)	100 (@ 4000K)
Lumens (LM)	700 - 800
Colour Temp	3CCT
Kelvin	3000K/4000K/5700K
Dimmable	Triac Dimmable
CRI	80
Cut Out (MM)	70-85
Beam Angle	100
IP Rating	IP44
Trim Colour	White
Mounting Type	Plaster Recessed
Diameter (MM)	95
Height (MM)	67.6
Width (MM)	69.6
Working Temp	-20°C ~ 40°C
Lifespan (HRS)	30,000
Warranty (YRS)	3 (Domestic) & 2 (Commercial)



#### APPLICATION



#### ADDITIONAL INFORMATION

##### Recommended Dimmers

- VB-DT-150R-PB
- VB-DT-200A1-R-V2