

ROUND RECESSED 18W 3000K DL TRIAC DIM 40DEG CRI90 MATT WHT

VBLDL-190-1A-3KD90

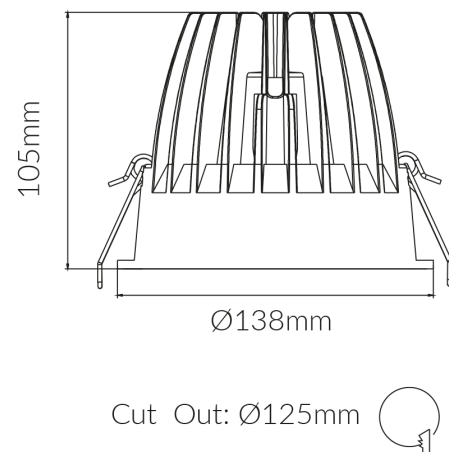


Specifications

SKU	VBLDL-190-1A-3KD90
Luminaire efficacy	139 lm/W
EAN	9340994025445
Light Colour	Warm White
Wattage	18 W
Lumen output	2500 lm
IP rating	54
CRI	90
Beam Angle	36 Degrees
Trim colour	White
Cut out	125 mm
Diameter	138 mm
Lifespan	50000 Hours
Warranty	5 Years
Dimmable	Non-Dimmable
Mounting type	Recessed
LED source	Citizen
Material	Aluminum
Lamp Type	LED
Dimming	Triac Dimming
Input voltage	220V-240V AC 50HZ
Wiring method	Flex & Plug or Hardwire
Working temperature	-20°C ~ 50°C
Depth	105
Kelvin	3000K



Dimensional Drawings



Photometric information available upon request.