

## ROUND RECESSED 18W 4000K DL TRIAC DIM 40DEG CRI90 MATT WHT

### VBLDL-190-1A-4KD90

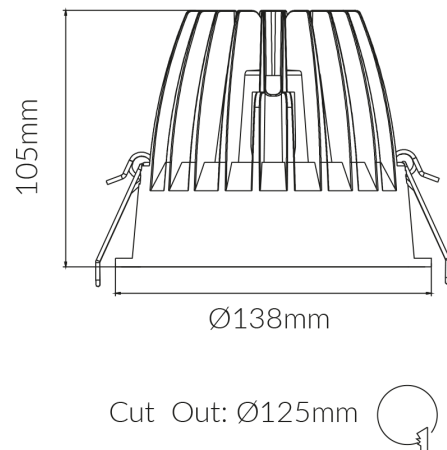


#### Specifications

SKU	VBLDL-190-1A-4KD90
<b>Luminaire efficacy</b>	143 lm/W
<b>EAN</b>	9340994025612
<b>Light Colour</b>	White
<b>Wattage</b>	18 W
<b>Lumen output</b>	2575 lm
<b>IP rating</b>	54
<b>CRI</b>	90
<b>Beam Angle</b>	36 Degrees
<b>Cut out</b>	125 mm
<b>Diameter</b>	138 mm
<b>Lifespan</b>	50000 Hours
<b>Warranty</b>	5 Years
<b>Dimmable</b>	Non-Dimmable
<b>Constant current/voltage</b>	Constant Current
<b>Mounting type</b>	Recessed
<b>LED source</b>	Citizen
<b>Material</b>	aluminum
<b>Lamp Type</b>	LED
<b>Dimming</b>	Triac Dimming
<b>Input voltage</b>	220V-240V AC 50HZ
<b>Wiring method</b>	Flex & Plug
<b>Working temperature</b>	-20°C ~ 50°C
<b>Kelvin</b>	4000K



#### Dimensional Drawings



*Photometric information available upon request.*