

VBLDL-2011-1-CCT

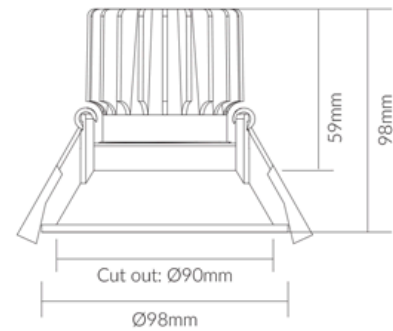
3CCT RECESSED LED DOWNLIGHT

The 2011 Series 12W LED Downlight features a deep baffle design to reduce glare and direct light downward, improving visual comfort and reducing eye strain. Its focused beam makes it well-suited for high-ceiling applications where controlled, efficient lighting is required.

The 3CCT switchable output (3000K/3500K /4000K) offers flexibility across different settings, while a CRI90+ rating ensures accurate colour rendering—ideal for retail, reception areas, showrooms, and display environments where visual clarity and colour fidelity are required.

KEY FEATURES

- High CRI90+ for superior colour accuracy
- 3CCT Switchable: 3000K/4000K/5000K
- Standard 90mm Cut-Out
- Supplied with remote driver
- Deep baffle design for focused, low-glare lighting
- IP54 rated (Front only)
- 50,000 hour lifespan
- 3 year warranty



SPECIFICATIONS

SKU	VBLDL-2011-1-CCT
Power (W)	12
Efficacy (LM/W)	85
Lumens (LM)	1020 (@4000K)
Colour Temp	3CCT
Kelvin	3000K/3500K/4000K
Dimmable	Triac Dimmable
CRI	90
Cut Out (MM)	90
Beam Angle	60
IP Rating	54 (Front Only)
Trim Colour	White
Diameter (MM)	98
Height (MM)	98
Width (MM)	98
Working Temp	-20°C ~ 40°C
Warranty (YRS)	3

APPLICATION

