



LED DOWNLIGHT 3K - MUST ADD DRIVER 14W, 20W OR 28W (D)

VBLDL-436-1-30D

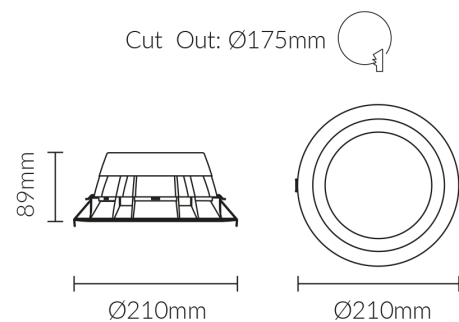


Specifications

SKU	VBLDL-436-1-30D
Luminaire efficacy	105 lm/W
EAN	9340994404837
Wattage	20 W
Lumen output	2100 lm
IP rating	44
CRI	80
Beam Angle	80 Degrees
Trim colour	White
Cut out	175 mm
Diameter	210 mm
Height	89 mm
Lifespan	35000 Hours
Warranty	5 Years
Dimmable	Dimmable
LED source	Osram Olson
Lamp Type	LED
Input voltage	220V-240V AC 50HZ
Working temperature	-20°C ~ 45°C



Dimensional Drawings



Photometric information available upon request.