



## DIMMABLE 18W WHT TRIM DL 3CCT 150MM CUT OUT (D)

### VBLDL-437-1-CCT



Designed for general lighting applications. This integrated downlight is 3CCT - choose from 3 colour temperatures at the flick of a switch. Various colour trims also available. Features a rating of IP54, a 50,000 hour lifespan and a 3 year warranty.

### Features & Benefits

- Change the Colour temperature with the flick of a switch - CCT can be switched through the slide button on the back of the fitting
- Good heat dissipation to maintain long lifespan
- Plug and play for ease of installation
- Compatible with most trailing edge or universal dimmers
- Built in internal Driver - No external driver required which facilitates easy installation
- Environmentally friendly
- 3 year warranty



# DIMMABLE 18W WHT TRIM DL 3CCT 150MM CUT OUT (D)

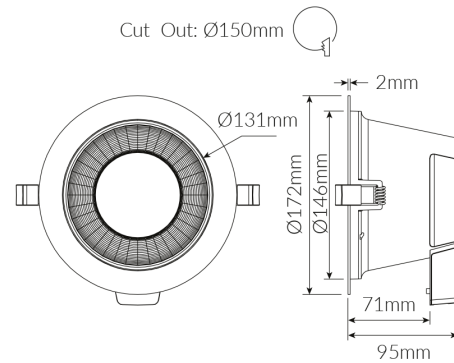
VBLDL-437-1-CCT

## Specifications

<b>SKU</b>	VBLDL-437-1-CCT
<b>Luminaire efficacy</b>	80 lm/W
<b>EAN</b>	9340994409382
<b>Light Colour</b>	CCT
<b>Wattage</b>	18 W
<b>Lumen output</b>	1440 lm
<b>IP rating</b>	54
<b>CRI</b>	80
<b>Beam Angle</b>	90 Degrees
<b>Trim colour</b>	White
<b>Cut out</b>	150 mm
<b>Diameter</b>	172 mm
<b>Lifespan</b>	50000 Hours
<b>Warranty</b>	3 Years
<b>Dimmable</b>	Dimmable
<b>Mounting type</b>	Recessed
<b>LED source</b>	Epistar
<b>Material</b>	Die-cast Aluminium
<b>Lamp Type</b>	LED
<b>Input voltage</b>	200 - 240V AC
<b>Wiring method</b>	Flex & Plug
<b>Weatherproof</b>	Weatherproof
<b>Working temperature</b>	-20°C ~ 45°C



## Dimensional Drawings



*Photometric information available upon request.*