



**DIM 25W WHITE TRIM DL CCT 200MM
C/OUT (D) **USE VBLDL-446A-1-
CCT****

VBLDL-447-1-CCT



Designed for general lighting applications. This integrated downlight has the capacity to offer a wide choice of colour temperatures at the flick of a switch. Switchable colour trims also available. Provides a rating of IP54, a 50,000 hour lifespan and a 3 year warranty.

Features & Benefits

- Change the Colour temperature with the flick of a switch - CCT can be switched through the slide button on the back of the fitting
- Good heat dissipation to maintain long lifespan
- Plug and play for ease of installation
- Compatible with most trailing edge or universal dimmers
- Built in internal Driver - No external driver required which facilitates easy installation
- Environmentally friendly
- 3 year warranty



DIM 25W WHITE TRIM DL CCT 200MM C/OUT (D) **USE VBLDL-446A-1-CCT**

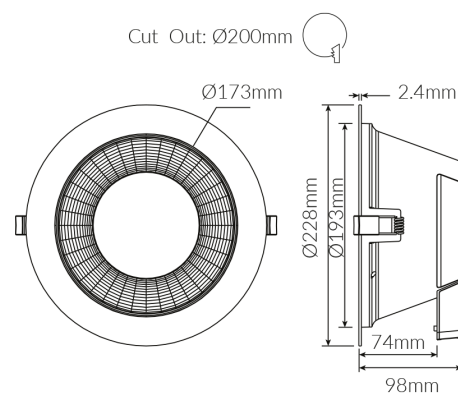
VBLDL-447-1-CCT

Specifications

SKU	VBLDL-447-1-CCT
Luminaire efficacy	93.6 lm/W
EAN	9340994409399
Light Colour	CCT
Wattage	25 W
Lumen output	2340 lm
IP rating	54
CRI	80
Beam Angle	90 Degrees
Trim colour	White
Cut out	200 mm
Width	98 mm
Lifespan	50000 Hours
Warranty	3 Years
Dimmable	Dimmable
Mounting type	Recessed
LED source	Epistar
Material	Die-cast Aluminium
Lamp Type	LED
Input voltage	200 - 240V AC
Weatherproof	Weatherproof
Working temperature	-20°C ~ 45°C



Dimensional Drawings



Photometric information available upon request.