



9W LED 3CCT GIMBAL DOWNLIGHT

VBLDL-810-1-CCT



Designed for general lighting applications. This IC-4 (IC-F) rated integrated downlight has the capacity to offer a wide choice of options. Switchable to a range of 3 colour temperatures. Comes with 1.2mAus flex & plug. Has a 50,000 hour lifespan and comes with a 3 year warranty.

Features & Benefits

- Wide range of applications ranging from residential homes to office spaces, retail spaces, shops, reception areas and more
- 3CCT colour switchable
- 300K, 4000K, 5000K
- 1.2mAus flex & plug
- 50,000 hour lifespan • 3 year warranty



9W LED 3CCT GIMBAL DOWNLIGHT

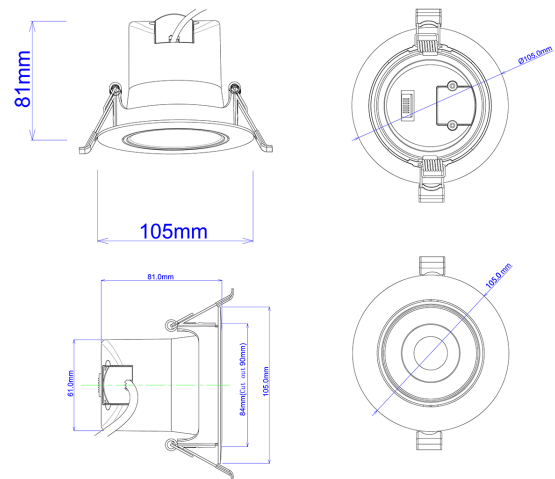
VBLDL-810-1-CCT

Specifications

SKU	VBLDL-810-1-CCT
Luminaire efficacy	88 lm/W
EAN	9340994029191
Light Colour	3CCT
Wattage	9 W
Lumen output	800 lm
IP rating	20
CRI	80
Beam Angle	60 Degrees
Trim colour	White
Cut out	90 mm
Diameter	100 mm
Height	85 mm
Lifespan	50,000 Hours
Warranty	3 Years
Dimmable	Dimmable
Constant current/voltage	Constant Current
Mounting type	Recessed
LED source	SMD
Material	Plastic & Aluminum
Accessories	Gimbal Face
Lamp Type	LED
Input voltage	220V-240V AC 50HZ
Wiring method	Flex & Plug
Weatherproof	Indoor Use Only
Working temperature	-20°C ~ 45°C
Box Qty	45
Kelvin	3000K/4000K/5000K



Dimensional Drawings



Photometric information available upon request.