



VBLFL-100W-4-3CCTS

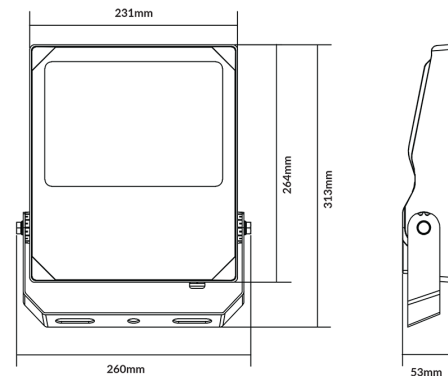


Specifications

SKU	VBLFL-100W-4-3CCTS
Luminaire efficacy	140 lm/W
Weight	2.5
Light Colour	CCT
Wattage	100 W
Lumen output	14000 lm
IP rating	65
IK Rating	8
CRI	70
Beam Angle	110 Degrees
Trim colour	Black
Length	260 mm
Width	53 mm
Height	264 mm
Lifespan	50000 Hours
Warranty	5 Years
Mounting type	Surface
LED source	SMD
Material	Die Cast Aluminum
Lamp Type	LED
Input voltage	220V-240V AC 50HZ
Wiring method	Flex & Plug
Weatherproof	Weatherproof
Working temperature	-30 ~ 50



Dimensional Drawings



Photometric information available upon request.