



## LED FLOODLIGHT 150W BLACK 3CCT SWITCHABLE 150LM/W

### VBLFL-150W-4-3CCTS



Designed for durability, our 3CCT 150W LED Floodlights excel in coastal applications, having passed 500-1000 hours of salt spray testing for superior corrosion resistance. Featuring excellent heat dissipation, even light distribution, high lumen efficiency (up to 150LM/W), and 4KV surge protection, they offer reliable performance in any environment.

### Features & Benefits

- Passed 500-1000 hours of salt spray testing, ensuring superior corrosion resistance for coastal areas.
- Excellent heat dissipation design
- Even controlled light distribution
- High lumen efficiency - up to 150LM/W
- 4KV surge protection
- Supplied with 1.5M flex & plug
- IP66 & IK08 rated
- 50,000 hour lifespan
- 5 year warranty



# LED FLOODLIGHT 150W BLACK 3CCT SWITCHABLE 150LM/W

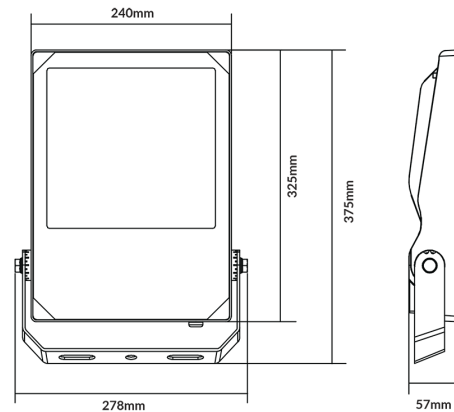
VBLFL-150W-4-3CCTS

## Specifications

<b>SKU</b>	VBLFL-150W-4-3CCTS
<b>Luminaire efficacy</b>	140 lm/W
<b>EAN</b>	9340994024233
<b>Weight</b>	3.5
<b>Light Colour</b>	CCT
<b>Wattage</b>	150 W
<b>Lumen output</b>	21000 lm
<b>IP rating</b>	65
<b>IK Rating</b>	8
<b>CRI</b>	70
<b>Beam Angle</b>	110 Degrees
<b>Trim colour</b>	Black
<b>Length</b>	278 mm
<b>Width</b>	57 mm
<b>Height</b>	325 mm
<b>Lifespan</b>	50000 Hours
<b>Warranty</b>	5 Years
<b>Mounting type</b>	Surface
<b>LED source</b>	SMD
<b>Material</b>	DIE CAST ALUMINUM
<b>Lamp Type</b>	LED
<b>Input voltage</b>	220V-240V AC 50HZ
<b>Wiring method</b>	Flex & Plug
<b>Weatherproof</b>	Weatherproof
<b>Working temperature</b>	-30~50
<b>Box Qty</b>	4



## Dimensional Drawings



Photometric information available upon request.