



54W LED RGB FLOODLIGHT WITH REMOTE

VBLFL-54W-4-RGB



The VIBE LED RGB Floodlight delivers bright, energy-efficient lighting with vibrant colour options. Built tough for outdoor use (IP65), it features a tempered glass lens, anti-condensation breather valve, and durable SMALITE LEDs. Choose from multiple colours using the remote. Easy to install with 1.5m flex and plug. 50,000-hour lifespan. 3-year warranty.

Features & Benefits

- Advanced input under/over voltage protection for improved reliability
- Equipped with SMALITE high voltage LED chips
- 4mm tempered glass, high light transmittance
- Breather valve allows to adjust the floodlights capacity pressure to avoid the formation of water vapour inside the fitting
- Colour selectable via remote
- Equipped with energy efficient 3 in 1 RGB chips
- Comes complete with 1.5M flex & plug
- IP65 rated
- 50,000 hour lifespan
- 3 year warranty



54W LED RGB FLOODLIGHT WITH REMOTE

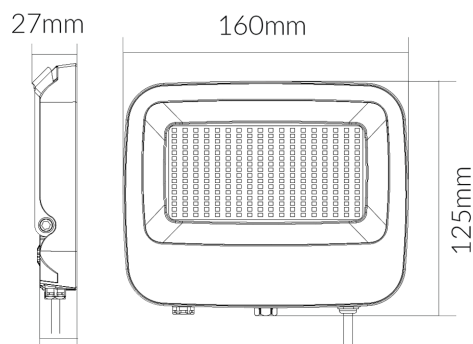
VBLFL-54W-4-RGB

Specifications

SKU	VBLFL-54W-4-RGB
Luminaire efficacy	32 lm/W
EAN	9340994031804
Light Colour	RGB
Wattage	54 W
Lumen output	1728 lm
IP rating	65
Beam Angle	110 Degrees
Trim colour	Black
Length	160 mm
Width	27 mm
Height	125 mm
Lifespan	50000 Hours
Warranty	3 Years
Mounting type	Surface
Material	Powder coated die-cast aluminium
Accessories	Remote & bracket included
Lamp Type	LED
Input voltage	240 Volt AC 50HZ
Wiring method	Flex & Plug or Hardwire
Working temperature	-20°C ~ 45°C



Dimensional Drawings



Photometric information available upon request.

Remote Control Guide – RGB Floodlight

ON/OFF: Power the light on or off.

▲ / ▼: Adjust brightness.

R / G / B / W: Select Red, Green, Blue, or White light.

Color Buttons: Choose from 16 preset colors instantly.

FLASH: Fast color jump.

STROBE: Slow flashing.

FADE: Gradual transition between colors.

SMOOTH: Soft, steady color change cycle.

Usage Tips

Aim the remote directly at the floodlight for best performance.

Ensure there are no obstructions between the remote and the receiver.

The remote operates using infrared (IR); range is approximately 5-10 meters.