



Cyanosis COI

VBLFP-606-1-COI



Our 42W, 595x595mm Cyanosis Series LED Panel Light are the best option for medical applications. At 4000K, a 3780 lumen output, and a CRI 98+, these lights allow practitioners to detect the bluish-purple hue in the skin associated with Cyanosis. Includes 50,000 hour lifespan and 5 year warranty.

Features & Benefits

- Featuring a Cyanosis observation index of 1.17
- Low glare (UGR<19)
- High light output, low energy consumption
- Wide beam angle with even light distribution
- White trim
- Standard as non-dimmable however different dimming protocols available upon request (Lead times will apply)
- IP54 front only
- 50,000 hours lifespan
- 5 years warranty

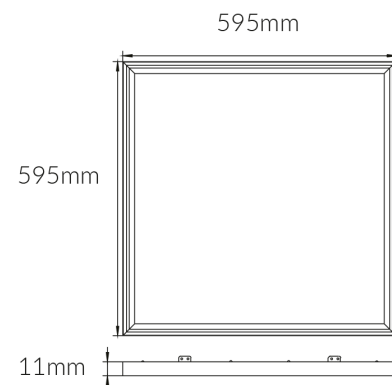


Specifications

SKU	VBLFP-606-1-COI
Luminaire efficacy	90 lm/W
EAN	9340994408712
Weight	4
Light Colour	Cool White
Wattage	42 W
Lumen output	3780 lm
IP rating	54
CRI	98
Beam Angle	120 Degrees
Trim colour	White
Cut out	595x595 mm
Length	595 mm
Height	595 mm
Lifespan	50000 Hours
Warranty	5 Years
Dimmable	Non-Dimmable
Mounting type	Recessed
LED source	Seoul Semiconductor
Lamp Type	LED
Input voltage	220V-265V AC 50hz
Diffuser	Frosted
Wiring method	Flex & Plug
Weatherproof	Weatherproof
Working temperature	-20°C ~ 45°C
Box Qty	5
Kelvin	4000K



Dimensional Drawings



Photometric information available upon request.