

Skylite 150

VBLFP-BL-606-1-CCT



Our 36W 595x595mm LED Backlit Panel is part of our SKYLite 150 Series. With 3CCT, you have the option to choose from 3000K (3878.1lm) 4000K (3937.5lm), or 5000K (3966.1lm). Offering a sleek, modern style, these lights are a great option when seeking replacement for Fluorescent Troffers, or even in domestic applications where a skylight panel would suit - install these instead! This series boasts a range of sizes to fit most applications and bears a flicker free On. Includes a 50,000 hour lifespan and 5 year warranty.

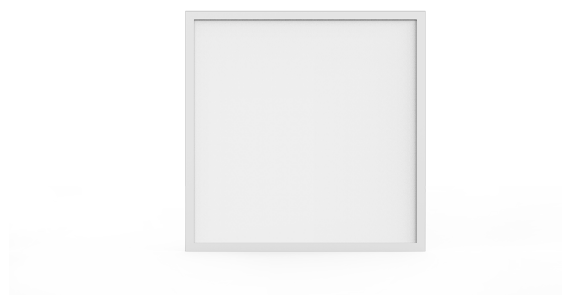
Features & Benefits

- High colour rendition CRI>80
- Energy saving up to 60% when compared with fluorescent tubes
- 3CCT changeable - 3000K/4000K/5700K
- Equipped with high efficiency SAMSUNG SMD LED chips
- Direct replacement for fluorescent fittings
- 50,000 hours lifespan
- 5 years warranty

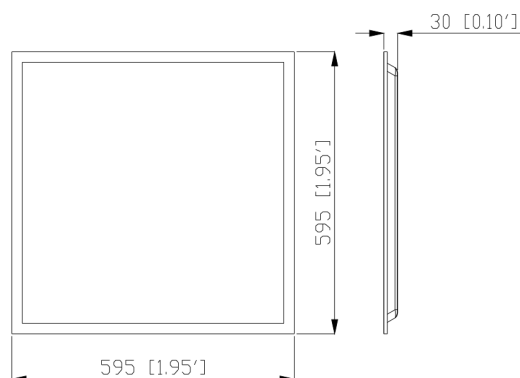


Specifications

SKU	VBLFP-BL-606-1-CCT
Luminaire efficacy	100 lm/W
EAN	9340994022727
Light Colour	3CCT
Wattage	36 W
Lumen output	3600 lm
IP rating	20
CRI	80
Beam Angle	110 Degrees
Cut out	595x595 mm
Length	595 mm
Height	595 mm
Lifespan	50000 Hours
Warranty	5 Years
Dimmable	Non-Dimmable
Mounting type	Recessed, Surface
LED source	SMD
Lamp Type	LED
Input voltage	220V-240V AC 50HZ
Wiring method	Flex & Plug
Weatherproof	Indoor Use Only
Working temperature	-20-45 degrees
Box Qty	6
Pallet Qty	72
Kelvin	3000K, 4000K, 5000K



Dimensional Drawings



Photometric information available upon request.

Please note the following lumen outputs based on the selected colour temperature: 3000K 3878.1lm | 4000K 3937.5lm | 5000K 3966.1lm