

## Skylite 150

### VBLFP-BL-606-1-CCT90



Our 36W 595x595mm LED Backlit Panel is part of our SKYLite 150 Series. With 3CCT, you have the option to choose from 3000K, 4000K, or 5700K whilst still experiencing a 3,400 lumen output. Offering a sleek, modern style, these lights are a great option when seeking replacement for Fluorescent Troffers, or even in domestic applications where a skylight panel would suit - install these instead! This series boasts a range of sizes to fit most applications and bears a low glare (UGR<19) with the CRI90 option. This is great for offices where glare on screens should be avoided. Includes a 50,000 hour lifespan and 3 year warranty.

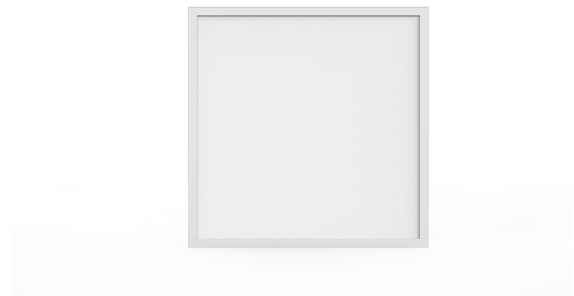
### Features & Benefits

- High colour rendition CRI>90
- Low glare (UGR<19) film on CRI90 models only
- Energy saving up to 60% when compared with fluorescent tubes
- 3CCT changeable - 3000K/4000K/5700K
- Equipped with high efficiency SAMSUNG SMD LED chips
- Direct replacement for fluorescent fittings
- 50,000 hours lifespan
- 3 years warranty

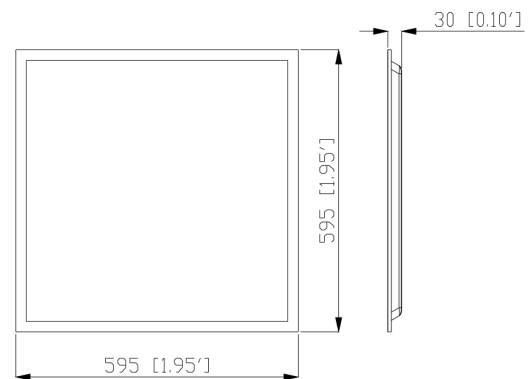


### Specifications

<b>SKU</b>	VBLFP-BL-606-1-CCT90
<b>Luminaire efficacy</b>	94.4 lm/W
<b>EAN</b>	9340994022741
<b>Light Colour</b>	3CCT
<b>Wattage</b>	36 W
<b>Lumen output</b>	3400 lm
<b>IP rating</b>	20
<b>CRI</b>	90
<b>Beam Angle</b>	110 Degrees
<b>Cut out</b>	595x595 mm
<b>Length</b>	595 mm
<b>Height</b>	595 mm
<b>Lifespan</b>	50000 Hours
<b>Warranty</b>	3 Years
<b>Dimmable</b>	Non-Dimmable
<b>Mounting type</b>	Recessed, Surface
<b>LED source</b>	SMD
<b>Lamp Type</b>	LED
<b>Input voltage</b>	220V-240V AC 50HZ
<b>Wiring method</b>	Flex & Plug
<b>Weatherproof</b>	Indoor Use Only
<b>Working temperature</b>	-20-45 degrees
<b>Box Qty</b>	6



### Dimensional Drawings



Photometric information available upon request.

