

COI LED BACKLIT PANEL 595 X 595 40W 4000K

VBLFP-BL-606-1-COI



Our 42W, Backlit 595x595mm Cyanosis Series LED Panel Light are the best option for medical applications. At 4000K, a 3780 lumen output, and a CRI 95+, these lights allow practitioners to detect the bluish-purple hue in the skin associated with Cyanosis. Includes 50,000 hour lifespan and 5 year warranty.

Features & Benefits

- Featuring a Cyanosis observation index of 1.17
- Low glare (UGR<19)
- High light output, low energy consumption
- Wide Beam Angle with even light distribution
- White trim
- Standard as Non-Dimmable however different dimming protocols available upon request (Lead times will apply)
- IP54 rated (Front only)
- 50,000 hour lifespan
- 5 year warranty

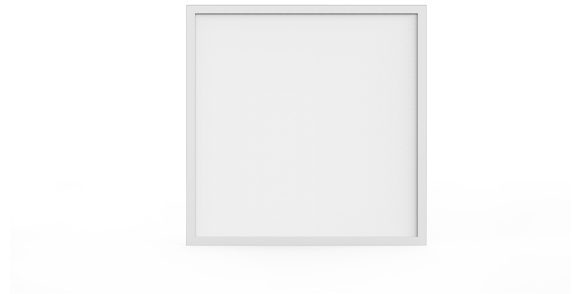


COI LED BACKLIT PANEL 595 X 595 40W 4000K

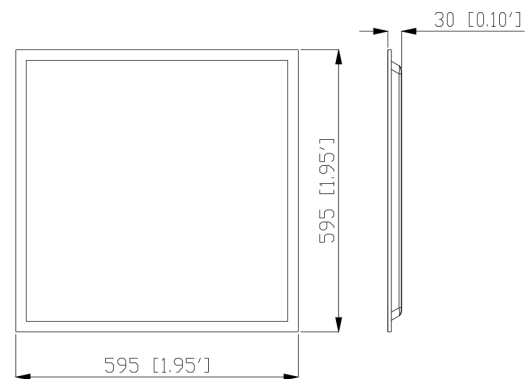
VBLFP-BL-606-1-COI

Specifications

SKU	VBLFP-BL-606-1-COI
Luminaire efficacy	87.4 lm/W
EAN	9340994029252
Light Colour	Cool White
Wattage	40 W
Lumen output	3496 lm
IP rating	54
CRI	95
Beam Angle	120 Degrees
Trim colour	White
Length	595 mm
Width	595 mm
Height	595 mm
Lifespan	50000 Hours
Warranty	5 Years
Mounting type	Recessed,Suspended
LED source	SMD
Material	ALUMINIUM
Lamp Type	LED
Input voltage	220V-240V AC 50HZ
Wiring method	Flex & Plug
Kelvin	4000



Dimensional Drawings



Photometric information available upon request.