



## 100 Series

### VBLLB-040-4-50-MS

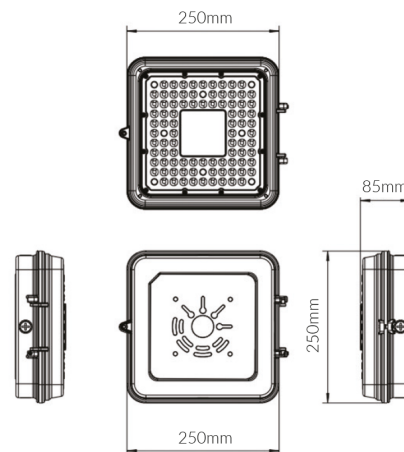


#### Specifications

<b>SKU</b>	VBLLB-040-4-50-MS
<b>Luminaire efficacy</b>	140 lm/W
<b>EAN</b>	9340994017143
<b>Light Colour</b>	Natural White
<b>Wattage</b>	40 W
<b>Lumen output</b>	5600 lm
<b>IP rating</b>	65
<b>CRI</b>	70
<b>Beam Angle</b>	147 Degrees
<b>Length</b>	250 mm
<b>Width</b>	250 mm
<b>Height</b>	85 mm
<b>Lifespan</b>	50000 Hours
<b>Warranty</b>	5 Years
<b>Shatterproof</b>	Shatterproof
<b>Mounting type</b>	Surface
<b>LED source</b>	Nichia
<b>Lamp Type</b>	LED
<b>Input voltage</b>	220V-265V AC 50hz
<b>Wiring method</b>	Hardwire
<b>Weatherproof</b>	Weatherproof
<b>Working temperature</b>	-20°C ~ 45°C



#### Dimensional Drawings



Photometric information available upon request.