



## LOWBAY 150W MAIN BODY ONLY 5K ADD FRAME (D)

### VBLLB-420-150W-5K

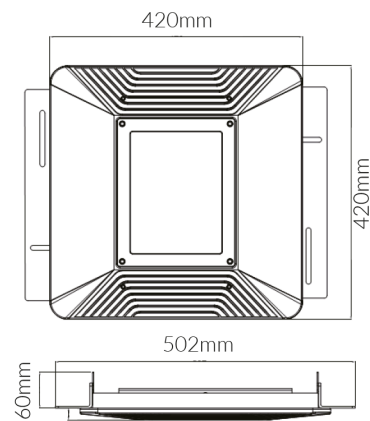


#### Specifications

<b>SKU</b>	VBLLB-420-150W-5K
<b>Luminaire efficacy</b>	130 lm/W
<b>EAN</b>	9340994406046
<b>Light Colour</b>	Natural White
<b>Wattage</b>	150 W
<b>Lumen output</b>	19500 lm
<b>IP rating</b>	66
<b>IK Rating</b>	10
<b>CRI</b>	78
<b>Beam Angle</b>	120 Degrees
<b>Lifespan</b>	50000 Hours
<b>Warranty</b>	5 Years
<b>LED source</b>	Epistar
<b>Accessories</b>	Can be recessed (400 x 400mm or 600 x 600mm) or surface mounted with kits
<b>Lamp Type</b>	LED
<b>Input voltage</b>	110-265V/50hz
<b>Weatherproof</b>	Weatherproof
<b>Working temperature</b>	-20°C ~ 50°C



#### Dimensional Drawings



Photometric information available upon request.