

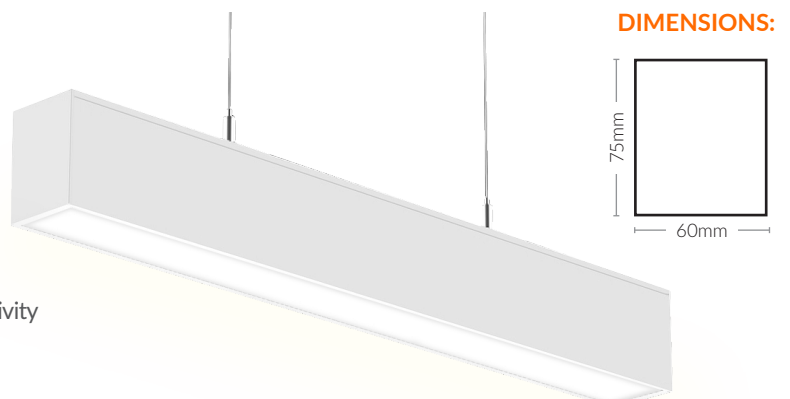
SEAMLESS LED LINEAR LIGHT

SKU: VBLLE-SERIES



The **NEW Vibe VBLLE-SERIES** provides the ultimate in easy installation, seamless LED linear lighting design.

- Four mounting options: suspended, wall mounted, surface mounted, recessed mounted
- Available in 3 easily connectable lengths: 1200mm, 1500mm, 1800mm
- Internal driver (either non-dimmable or Dali) for easy connectivity
- Easily linkable, for bright continuous & seamless lighting
- Quick connection and tool free installation design
- Zero light leakage between connections



SEAMLESS LED LINEAR LIGHT

VBLLLE-SERIES

Enter a world of seamless, creative lighting beauty with the VBLLLE LED Linear Light - designed for versatility, performance and clean architectural integration. With flexible layout options (Linear, T, X, L), four mounting methods, and connectable lengths of 1200mm, 1500mm, and 1800mm, it adapts effortlessly to a wide range of applications while delivering a continuous, uniform lighting effect across multiple linked sections. Choose either a non-dimmable or Dali driver to suit your lighting needs.

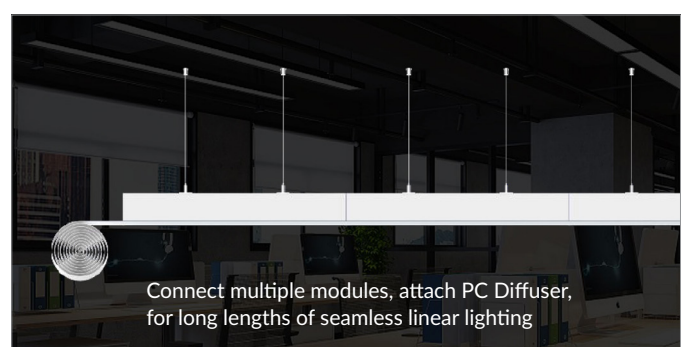
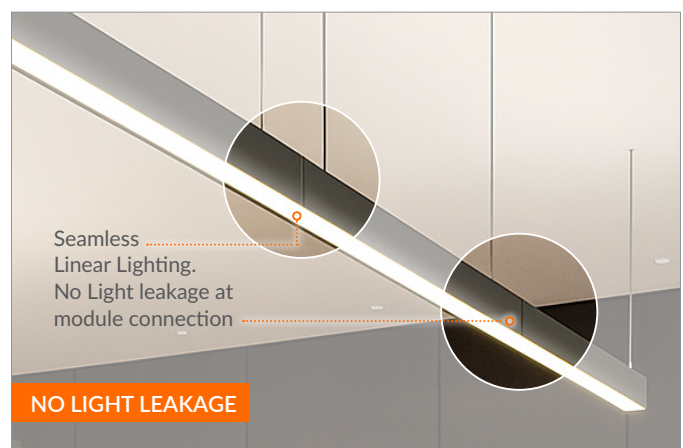
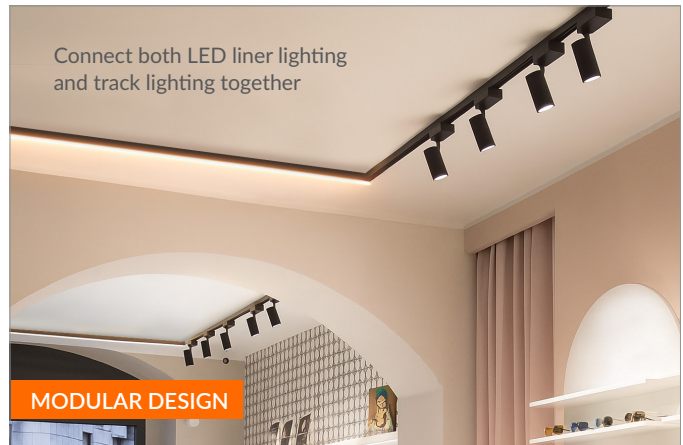
Installation is quick and tool-free, featuring an optional clip-in UpLight module, fast-connect wiring, and seamless buckle joints for a flawless finish. Compact internal drivers ensure a clean look, making the VBLLLE-SERIES a smart, efficient solution for a modern lighting design.

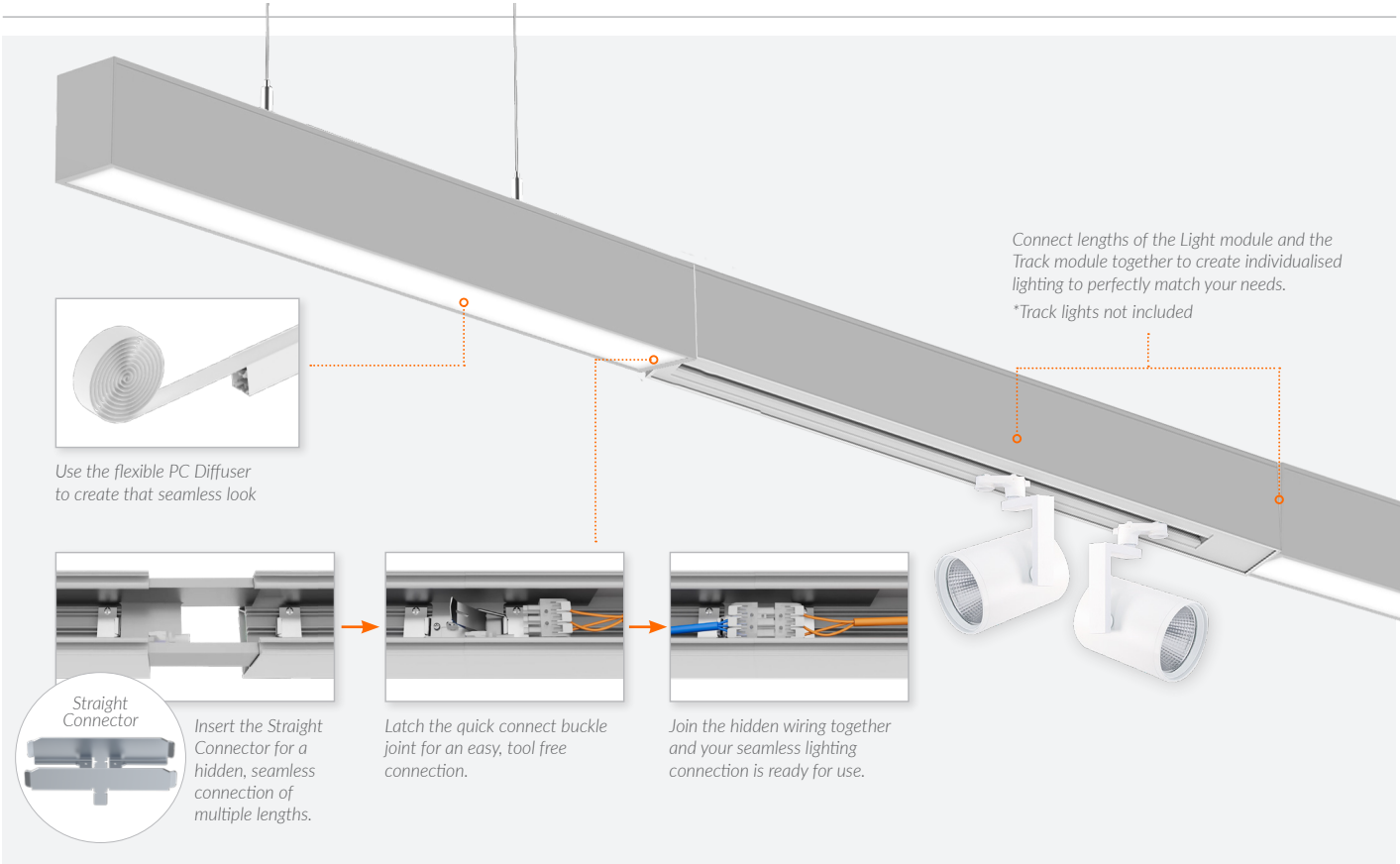
FEATURES & BENEFITS:

- Varying layout configurations (Linear, T, X, L)
- 4 mounting options: suspended, wall mounted, surface mounted, recessed mounted
- Available with either non-dimmable or Dali driver
- Easily linkable, for bright continuous & seamless lighting
- Available in 3 connectable lengths: 1200mm, 1500mm, 1800mm
- Easy clip in, Up-Light module with fast connect wiring
- Quick connection and tool free installation design for seamless light
- Connect up to x25 (1200mm module) sections together. (Max. total connectable length of 30M across all modules)


SPECIFICATIONS:

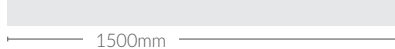
SKU:	VBLLLE-SERIES
Input Voltage	AC: 200-240V 50/60Hz
Insulation Class	Class 1
Efficacy (lm/w)	120
3CCT Switchable	3000K / 4000K / 5000K
Beam Angle	120°
Seamless Light Connection	Yes
Dimmable	Non-Dimmable & Dali
Driver	Flicker Free
CRI	90
SDCM	>3
IP	IP20 Indoor Use
Lifespan	50,000 hours
Warranty	5 years





LINEAR MODULES (Power Adjustable)

1200mm Light
VBLLE-1200-1/4-CCT
VBLLE-1200-1/4-CCT-DA
 Wattage: 24/32/40W
 Lm: 2880/3840/4800Lm

1500mm Light
VBLLE-1500-1/4-CCT
VBLLE-1500-1/4-CCT-DA
 Wattage: 30/40/50W
 Lm: 4320/5760/7200Lm

1800mm Light
VBLLE-1800-1/4-CCT
VBLLE-1800-1/4-CCT-DA
 Wattage: 36/48/60W
 Lm: 6000/7200/8400Lm

NOTE: Max. 1000w for single power source connection.
 Connect up to x16 1800mm modules. Connect up to x20 1500mm modules.
 Connect up to x25 1200mm modules.

3CCT POWER ADJUSTABLE

Trim Colours



3CCT Colour Switchable



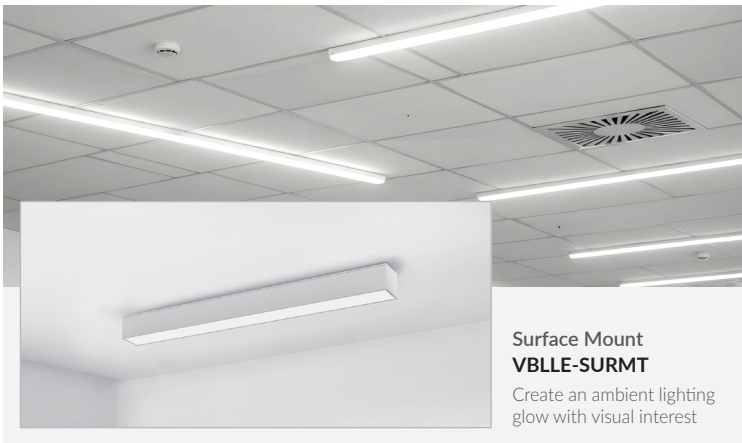
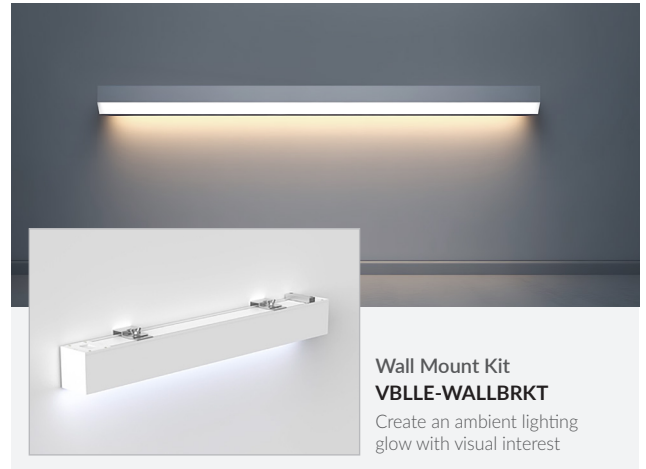
Power Adjustable



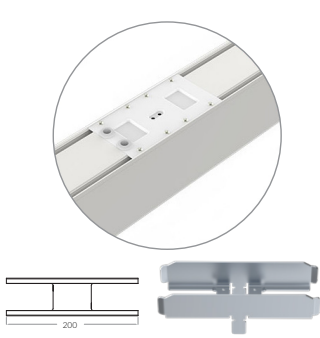
(wattage example based on 1500mm module only)



MOUNTING ACCESSORIES:

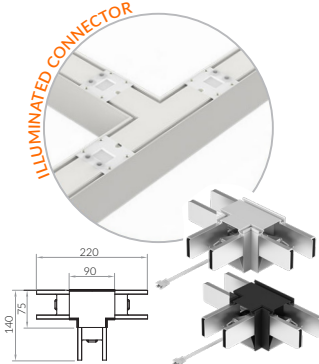


CONNECTOR JOINTS & ACCESSORIES:



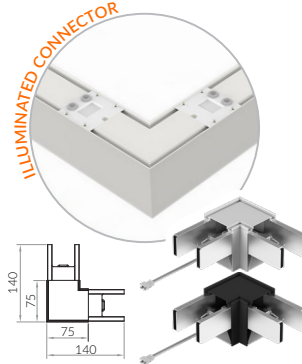
Straight Connector
VBLL E-1-SJ

This is the key to quick & easy, long lengths of linear lighting, with its simple hidden internal clip-together design.



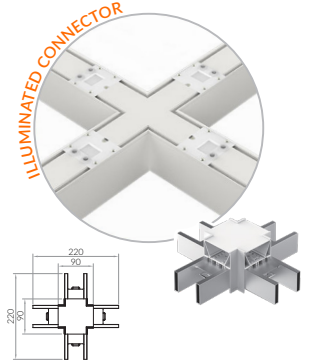
T-Type ILLUMINATED Connector
VBLL E-1/4-TJ - White/Black

Illuminated connector, for more creative lighting options & seamless lighting effect.



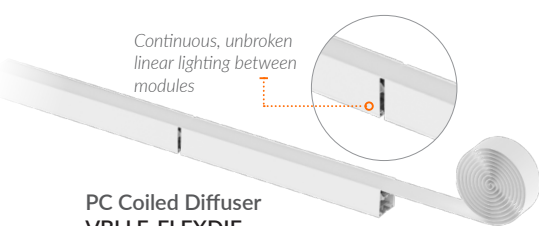
L-Type ILLUMINATED Connector
VBLL E-1/4-LJ - White/Black

Illuminated connector, for more creative lighting options & seamless lighting effect.



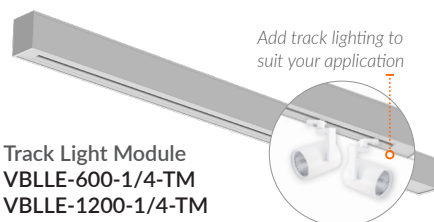
X-Type ILLUMINATED Connector
VBLL E-1/4-XJ - White/Black

Illuminated connector, for more creative lighting options & seamless lighting effect.



PC Coiled Diffuser
VBLL E-FLEXDIF

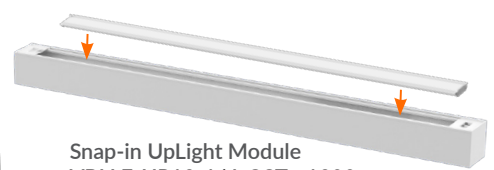
Create continuous lengths of unbroken linear lighting. Replace the included diffuser with a length of this PC Coiled diffuser to eliminate light breaks. 30m roll.



Track Light Module
VBLL E-600-1/4-TM
VBLL E-1200-1/4-TM

Connect sections of track light in between the linear LED light for easy feature lighting.

*To suit single circuit, non-dimmable track lights only. Not suitable for Dali modules.



Snap-in UpLight Module
VBLL E-UP12-1/4-CCT - 1200mm
VBLL E-UP15-1/4-CCT - 1500mm
VBLL E-UP18-1/4-CCT - 1800mm

Snap in the optional UpLight module to the top of the light for a unique ambient lighting glow. Light will be split 30% up / 70% down.