



## 34W LED SURFACE MOUNT DOWNLIGHT BLACK 4000K 40° 4200LM NON-DIM

### VBLSM-1213-4-4K



Introducing the VIBE 34W LED Surface Mount Downlight, available in black or white, 3000K or 4000K light with dimmable option. Designed for seamless integration, it features concealed fixings and anti-glare 30° cut-off angle. The powder coat finish adds durability, and integral driver ensures easy installation. Versatile for any setting, it can be suspended for desired lighting effects.

### Features & Benefits

- Seamless outlook featuring concealed fixings
- Anti-glare 30° cut off angle
- Powder coat finish
- 4000K
- Integral driver
- Dimming options available
- Can be suspended

# 34W LED SURFACE MOUNT DOWNLIGHT BLACK 4000K 40° 4200LM NON-DIM

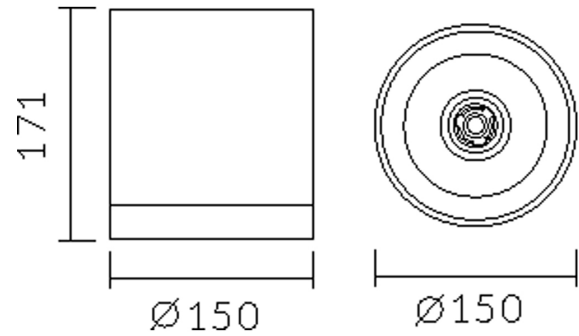
**VBLSM-1213-4-4K**

## Specifications

<b>SKU</b>	VBLSM-1213-4-4K
<b>Luminaire efficacy</b>	123.53 lm/W
<b>EAN</b>	9340994031132
<b>Light Colour</b>	Cool White
<b>Wattage</b>	34 W
<b>Lumen output</b>	4200 lm
<b>IP rating</b>	20
<b>CRI</b>	80
<b>Beam Angle</b>	40 Degrees
<b>Trim colour</b>	Black
<b>Diameter</b>	150 mm
<b>Height</b>	171 mm
<b>Lifespan</b>	50,000 Hours
<b>Warranty</b>	3 Years
<b>Dimmable</b>	Non-Dimmable
<b>Material</b>	Powder Coat Finish
<b>Kelvin</b>	4000



## Dimensional Drawings



*Photometric information available upon request.*