



**34W LED SURFACE MOUNT
DOWNLIGHT BLACK 4000K 40°
4200LM NON-DIM**

VBLSM-1213-4-4K



Introducing the VIBE 34W LED Surface Mount Downlight, available in black or white, 3000K or 4000K light with dimmable option. Designed for seamless integration, it features concealed fixings and anti-glare 30° cut-off angle. The powder coat finish adds durability, and integral driver ensures easy installation. Versatile for any setting, it can be suspended for desired lighting effects.

Features & Benefits

- Seamless outlook featuring concealed fixings
- Anti-glare 30° cut off angle
- Powder coat finish
- 4000K
- Integral driver
- Dimming options available
- Can be suspended

34W LED SURFACE MOUNT DOWNLIGHT BLACK 4000K 40° 4200LM NON-DIM

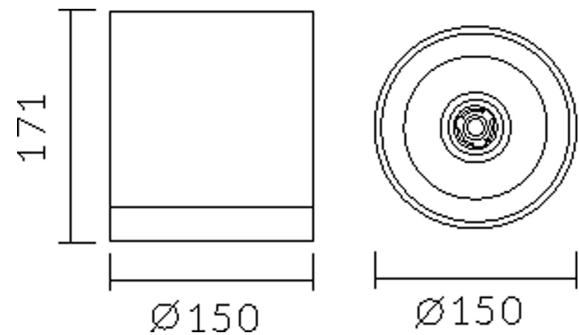
VBLSM-1213-4-4K

Specifications

SKU	VBLSM-1213-4-4K
Luminaire efficacy	123.53 lm/W
EAN	9340994031132
Light Colour	Cool White
Wattage	34 W
Lumen output	4200 lm
IP rating	20
CRI	80
Beam Angle	40 Degrees
Trim colour	Black
Diameter	150 mm
Height	171 mm
Lifespan	50,000 Hours
Warranty	3 Years
Dimmable	Non-Dimmable
Material	Powder Coat Finish
Kelvin	4000



Dimensional Drawings



Photometric information available upon request.