



LED SOLAR WALL LAMP 6000K

VBLSP-004-4-60

IP65

Introducing our LED Solar Wall Light, designed for reliable outdoor illumination with cutting-edge features.

Harnessing the power of a monocrystal solar panel (5V), this light efficiently converts sunlight into energy, ensuring eco-friendly operation. Equipped with 36 high-performance SMD 2835 LEDs, it provides bright and clear lighting whenever needed.

The 3.7V/2000mAh Li-ion battery offers extended operation, with an 8-9 meter PIR motion sensor, durable ABS/PC build, IP65 & IK08 ratings, and 12-hour illumination.

Ideal for enhancing security around your home or business, our LED Solar Wall Light combines advanced technology with robust design to illuminate your surroundings efficiently and sustainably.

Features & Benefits

- Monocrystal solar panel (5V)
- LED: 36 pcs SMD 2835 LED
- Li-on battery: 3.7V/2000mAh, 18650
- PIR motion sensor: Detection distance 8-9M
- Detection angle: 120°
- Material: ABS (Black) + PC (Transparent)
- Charging time: 8-10 hours under the regular sunshine
- Working time: 12 hours
- IP65 & IK08 rated
- 50,000 hour lifespan

- 1 year warranty

LED SOLAR WALL LAMP 6000K

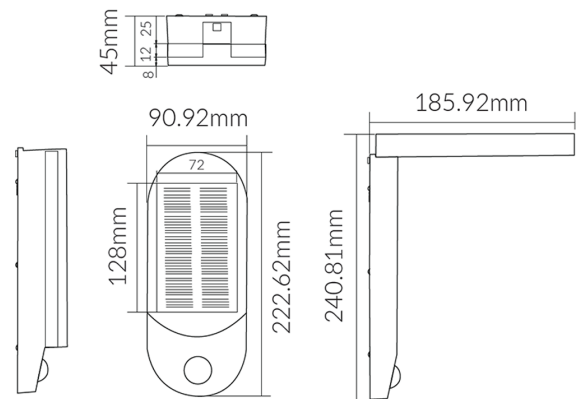
VBLSP-004-4-60

Specifications

SKU	VBLSP-004-4-60
EAN	9340994030999
Light Colour	Cool White
Wattage	2 W
Lumen output	600 lm
IP rating	65
IK Rating	8
CRI	80
Trim colour	Black
Lifespan	50,000 Hours
Warranty	1 Years
Mounting type	Surface
LED source	SMD
Material	ABS (Black) + PC (Transparent)
Lamp Type	LED / Solar
Kelvin	6000



Dimensional Drawings



Photometric information available upon request.