



13W LED 1CCT TRK LT 4000K 36DEG
BLACK DIM CRI90 (D)

VBLTL-115-4-4KD90



These 13W Black Single Circuit LED Track Lights will provide an elegant finish to any gallery, supermarket, retail store or museum. With a 50,000 hour lifespan and a 5 year warranty, the lights provide an instant on with no flickering, and are available in either black or white.

Features & Benefits

- Single Circuit LED Track Light
- Equipped with CITIZEN LED chips
- High strength Aluminium body
- Available in black or white trim colour
- Instant on, no flickering
- 50,000 hour lifespan
- 5 year warranty



13W LED 1CCT TRK LT 4000K 36DEG BLACK DIM CRI90 (D)

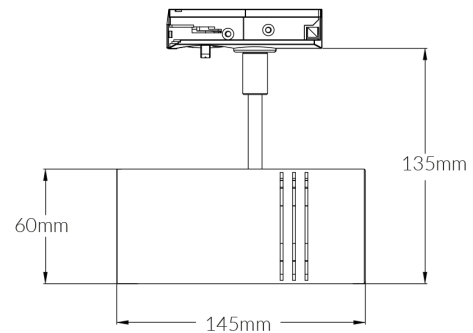
VBLTL-115-4-4KD90

Specifications

| | |
|----------------------------|--|
| SKU | VBLTL-115-4-4KD90 |
| Luminaire efficacy | 123 lm/W |
| Track type | Single Circuit |
| EAN | 9340994018812 |
| Light Colour | Cool White |
| Wattage | 13 W |
| Lumen output | 1600 lm |
| IP rating | 20 |
| CRI | 90 |
| Beam Angle | 36 Degrees |
| Trim colour | Black |
| Diameter | 60 mm |
| Length | 170 mm |
| Lifespan | 50000 Hours |
| Warranty | 5 Years |
| Dimmable | Dimmable |
| Mounting type | Track |
| LED source | Citizen |
| Material | Aluminium |
| Accessories | Three Circuit Track version available upon request (MOQ and lead times apply). |
| Lamp Type | LED |
| Dimming | Triac Dimming |
| Input voltage | 220V-240V AC 50HZ |
| Weatherproof | Non-weatherproof |
| Working temperature | -20°C ~ 50°C |
| Kelvin | 4000K |



Dimensional Drawings



Photometric information available upon request.