



13W LED 1CCT TRK LT 3000K 36DEG  
MATTE BLK DIM CRI90

**VBLTL-115-4A-3KD90**



These 13W, 3000K, Matte Black, Single Circuit Track Lights come standard with a 40° reflector. If you're looking for reliability these lights are perfect with instant on, zero flicker technology, boasting a 50,000 hour lifespan all backed by a 5 year warranty.

**Features & Benefits**

- Three Circuit LED Track Light allows independent switching
- Equipped with CITIZEN LED Chips with high luminaire efficacy (Up to 130LM/W)
- CRI 90+ for better colour rendering
- Some modules available as Triac Dimmable
- Available in White or Black trim colour
- 355° rotation and 180° tilt
- Instant on, no flickering
- 50,000 hour lifespan
- 3 years warranty



# 13W LED 1CCT TRK LT 3000K 36DEG MATTE BLK DIM CRI90

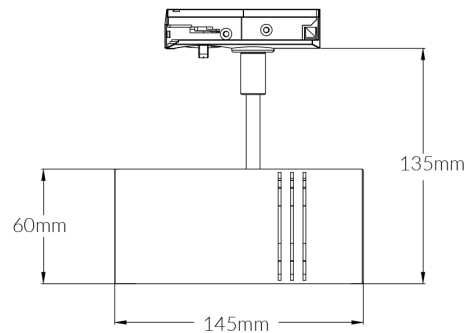
VBLTL-115-4A-3KD90

## Specifications

|                            |   |
|----------------------------|---|
| <b>SKU</b>                 | VBLTL-115-4A-3KD90  |
| <b>Luminaire efficacy</b>  | 115 lm/W  |
| <b>Track type</b>          | Single Circuit  |
| <b>EAN</b>                 | 9340994021003   |
| <b>Light Colour</b>        | Warm White  |
| <b>Wattage</b>             | 13 W  |
| <b>Lumen output</b>        | 1500 lm   |
| <b>IP rating</b>           | 20  |
| <b>CRI</b>                 | 90  |
| <b>Beam Angle</b>          | 36 Degrees  |
| <b>Trim colour</b>         | Black   |
| <b>Diameter</b>            | 60 mm   |
| <b>Length</b>              | 170 mm  |
| <b>Lifespan</b>            | 50000 Hours   |
| <b>Warranty</b>            | 13 Years  |
| <b>Dimmable</b>            | Dimmable  |
| <b>Mounting type</b>       | Track   |
| <b>LED source</b>          | Citizen   |
| <b>Material</b>            | Aluminium   |
| <b>Accessories</b>         | Three circuit Track version available upon request (MOQ and lead times apply) |
| <b>Lamp Type</b>           | LED   |
| <b>Dimming</b>             | Triac Dimming   |
| <b>Input voltage</b>       | 220V-240V AC 50HZ   |
| <b>Weatherproof</b>        | Non-weatherproof  |
| <b>Working temperature</b> | -20°C ~ 50°C  |
| <b>Box Qty</b>             | 30  |
| <b>Kelvin</b>              | 3000K   |



## Dimensional Drawings



Photometric information available upon request.