



13W LED 1CCT TRK LT 4000K 36DEG MATTE BLK DIM CRI90

VBLTL-115-4A-4KD90



These 13W, 4000K, Black, Single Circuit LED Track Lights will provide an elegant finish to any gallery, supermarket, retail store or museum. With a 50,000 hour lifespan and a 5 year warranty, these track heads provide an instant on with no flickering, and are available in either black or white.

Features & Benefits

- Single Circuit LED Track Light
- Equipped with CITIZEN LED chips
- High strength Aluminium body
- Available in black or white trim colour
- Instant on, no flickering
- 50,000 hour lifespan
- 5 year warranty



13W LED 1CCT TRK LT 4000K 36DEG MATTE BLK DIM CRI90

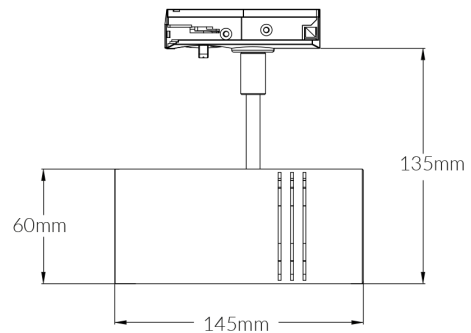
VBLTL-115-4A-4KD90

Specifications

SKU	VBLTL-115-4A-4KD90
Luminaire efficacy	123 lm/W
Track type	Single Circuit
EAN	9340994024318
Light Colour	Cool White
Wattage	13 W
Lumen output	1600 lm
IP rating	20
CRI	90
Beam Angle	36 Degrees
Trim colour	Matte Black
Diameter	60 mm
Height	170 mm
Lifespan	50000 Hours
Warranty	5 Years
Dimmable	Dimmable
Mounting type	Track
LED source	Citizen
Material	Aluminium Body
Accessories	Three Circuit Track version available upon request (MOQ and lead times apply).
Lamp Type	LED
Dimming	Triac Dimming
Weatherproof	Indoor Use Only
Box Qty	30
Kelvin	4000K



Dimensional Drawings



Photometric information available upon request.