



VBLTL-1241-4-PACCT



Flexible 28-40W power adjustable, 1200mm, 3000/4000/5700K selectable, Black, Three Circuit Track Lights comes with a 90° reflector . If you're looking for reliability these lights are perfect with instant on, zero flicker technology, boasting a 50,000 hour lifespan all backed by a 5 year warranty.

Features & Benefits

- Three Circuit LED Track Light allows independent switching
- 28-40W power adjustable and 3000K/4000K/5700K Color temperature switchable
- Equipped with high efficiency SMD LED chips (Up to 130LM/W)
- CRI 90+ for better colour rendering
- Available in White or Black trim colour
- 90° beam angle
- Instant on, no flickering
- 50,000 hour lifespan
- 5 years warranty

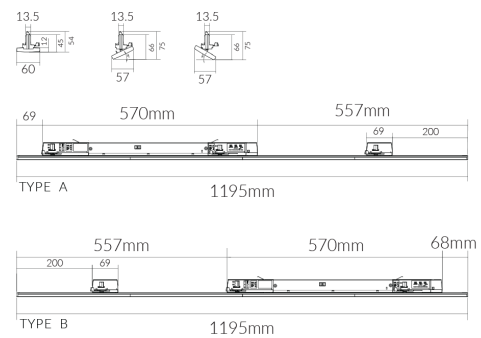


Specifications

SKU	VBLTL-1241-4-PACCT
Luminaire efficacy	150 lm/W
Track type	3 Circuit
Light Colour	3CCT
Wattage	28-40 W
Lumen output	6000 lm
IP rating	20
CRI	90
Beam Angle	90 Degrees
Trim colour	Black
Length	1195 mm
Width	60 mm
Height	54 mm
Lifespan	50000 Hours
Warranty	5 Years
Dimmable	Non-Dimmable
Mounting type	Track
LED source	SMD
Lamp Type	LED
Input voltage	220V-240V AC 50HZ
Diffuser	Transparent
Weatherproof	Non-weatherproof
Working temperature	-25 - 50°C
Kelvin	3000/4000/5700K
Power Adjustable	Yes



Dimensional Drawings



Photometric information available upon request.