



VBLTL-420-4A-3K90



These 28W, 4000K, White, Elegant 3 Circuit Track Lights come standard with a 50° reflector. If you're looking for reliability these lights are perfect with instant on, zero flicker technology, boasting a 50,000 hour lifespan all backed by a 5 year warranty.

Features & Benefits

- Three Circuit LED Track Light allows independent switching
- Equipped with CITIZEN LED chips with high luminaire efficacy (Up to 130LM/W)
- CRI 90+ for better colour rendering
- Some modules available as Triac dimmable
- Available in White or Black trim colour
- 35° rotation and 18° tilt
- Instant on, no flickering
- 50,000 hours lifespan
- 5 years warranty

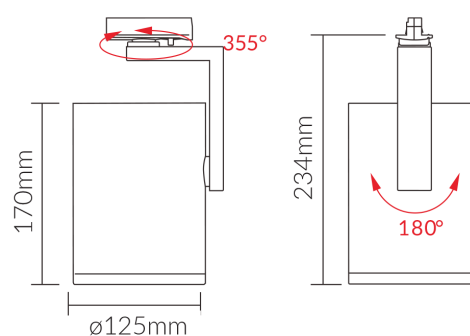


Specifications

SKU	VBLTL-420-4A-3K90
Luminaire efficacy	130 lm/W
Track type	3 Circuit
EAN	9340994032382
Weight	1.73
Light Colour	Warm White
Wattage	28 W
Lumen output	4900 lm
IP rating	20
CRI	90
Beam Angle	40 Degrees
Trim colour	Black
Diameter	125 mm
Width	125 mm
Height	170 mm
Lifespan	50000 Hours
Warranty	5 Years
Dimmable	Non-Dimmable
Mounting type	Track
LED source	Citizen
Material	Aluminium
Lamp Type	LED
Input voltage	220V-240V AC 50HZ
Weatherproof	Indoor Use Only
Working temperature	-20°C ~ 40°C
Box Qty	1
Kelvin	3000K



Dimensional Drawings



Photometric information available upon request.