



## VBLTL-420-4A-4K90



Our 28W, 4000K Elegant 3 Circuit LED Track Lights deliver exceptional performance with CITIZEN LED chips (up to 130LM/W) and CRI 90+ for true-to-life colour. Featuring a 50° reflector as standard, independent circuit switching, 355° rotation, and 180° tilt, they offer flexible, precise lighting control.

Enjoy instant-on, flicker-free illumination, a 50,000-hour lifespan, and a 5-year warranty.

### Features & Benefits

- Three Circuit LED Track Light allows independent switching
- Equipped with CITIZEN LED chips with high luminaire efficacy (Up to 130LM/W)
- CRI 90+ for better colour rendering
- Some modules available as Triac dimmable
- Available in White or Black trim colour
- 355° rotation and 180° tilt
- Instant on, no flickering
- 50,000 hours lifespan
- 5 years warranty

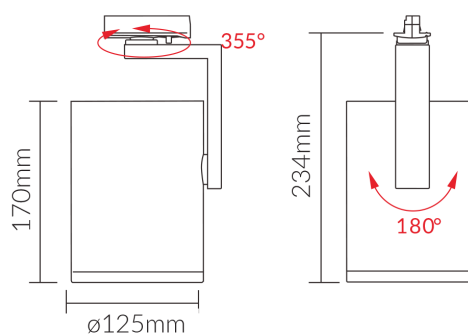


## Specifications

<b>SKU</b>	VBLTL-420-4A-4K90
<b>Luminaire efficacy</b>	130 lm/W
<b>Track type</b>	3 Circuit
<b>EAN</b>	9340994028309
<b>Weight</b>	1.72
<b>Light Colour</b>	Cool White
<b>Wattage</b>	28 W
<b>Lumen output</b>	4900 lm
<b>IP rating</b>	20
<b>CRI</b>	90
<b>Beam Angle</b>	40 Degrees
<b>Trim colour</b>	Black
<b>Diameter</b>	125 mm
<b>Width</b>	145 mm
<b>Height</b>	234 mm
<b>Lifespan</b>	50000 Hours
<b>Warranty</b>	5 Years
<b>Dimmable</b>	Non-Dimmable
<b>Mounting type</b>	Track
<b>LED source</b>	Citizen
<b>Material</b>	Aluminum
<b>Lamp Type</b>	LED
<b>Input voltage</b>	220V-240V AC 50HZ
<b>Weatherproof</b>	Indoor Use Only
<b>Working temperature</b>	-20°C ~ 45°C
<b>Box Qty</b>	1
<b>Kelvin</b>	4000K



## Dimensional Drawings



*Photometric information available upon request.*