

LED 269 Wall Lights

VBLWL-269-4-30



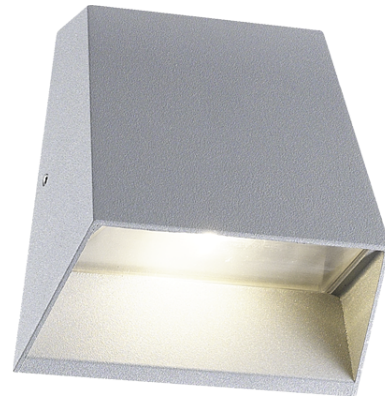
Vibe 269 Series 6W Warm White LED Wall Light In Black. Made with strong die-cast aluminium with a UV stabilised polyester powder-coated finish to resist corrosion. Featuring hardy construction and elegant architecturally designed looks. Available in Black or Silver trim colour.

Features & Benefits

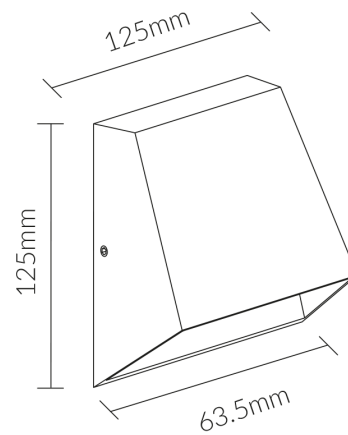
- Equipped with CREE LED chips
- High strength die-cast body and bracket
- UV Stabilised polyester powder coating, resistant to corrosive environments
- Available in Black trim colour
- IP54 rates
- 50,000 hour lifespan
- 3 year warranty

Specifications

SKU	VBLWL-269-4-30
Luminaire efficacy	56 lm/W
EAN	9340994404103
Light Colour	Warm White
Wattage	6 W
Lumen output	340 lm
IP rating	54
CRI	80
Beam Angle	100 Degrees
Trim colour	Black
Length	125 mm
Height	125 mm
Lifespan	50000 Hours
Warranty	3 Years
Mounting type	Surface
LED source	CREE
Material	Die-cast Aluminium
Lamp Type	LED
Input voltage	220V-240V AC 50HZ
Wiring method	Hardwire
Weatherproof	Weatherproof
Working temperature	-20°~50°C
Kelvin	3000K



Dimensional Drawings



Photometric information available upon request.