



LED 300 Wall Lights

VBLWL-300-4-40



Vibe 6W LED 300 Series Cool White Box Glass Black Wall Light. The Vibe 300 Series boxed Glass Brick Wall Light is made with strong die-cast aluminium with a UV stabilised polyester powder-coated finish to resist corrosion. Featuring hardy construction and elegant architecturally designed looks. Made with strong die-cast aluminium with a UV stabilised polyester powder-coated finish to resist corrosion. Featuring hardy construction and elegant architecturally designed looks.

Features & Benefits

- Tough die-cast aluminium body
- Tempered glass diffuser
- Equipped with OSRAM LED chips
- Static moulding powder coating with UV resistance
- IP54 rated for outdoor use
- 50,000hour lifespan
- 3 year warranty

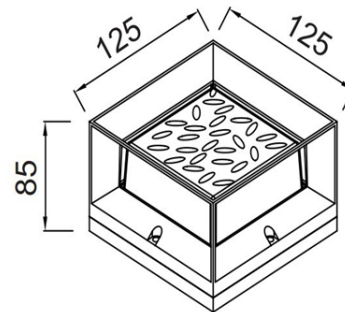


Specifications

SKU	VBLWL-300-4-40
Luminaire efficacy	92 lm/W
EAN	9340994028613
Light Colour	Warm White
Wattage	6 W
Lumen output	550 lm
IP rating	54
CRI	80
Beam Angle	360 Degrees
Trim colour	Black
Length	125 mm
Height	125 mm
Lifespan	50000 Hours
Warranty	3 Years
Mounting type	Surface
LED source	OSRAM
Material	Die-Cast Aluminium
Lamp Type	LED
Input voltage	240 Volt AC 50HZ
Wiring method	Hardwire
Weatherproof	Weatherproof
Kelvin	3000K



Dimensional Drawings



Photometric information available upon request.